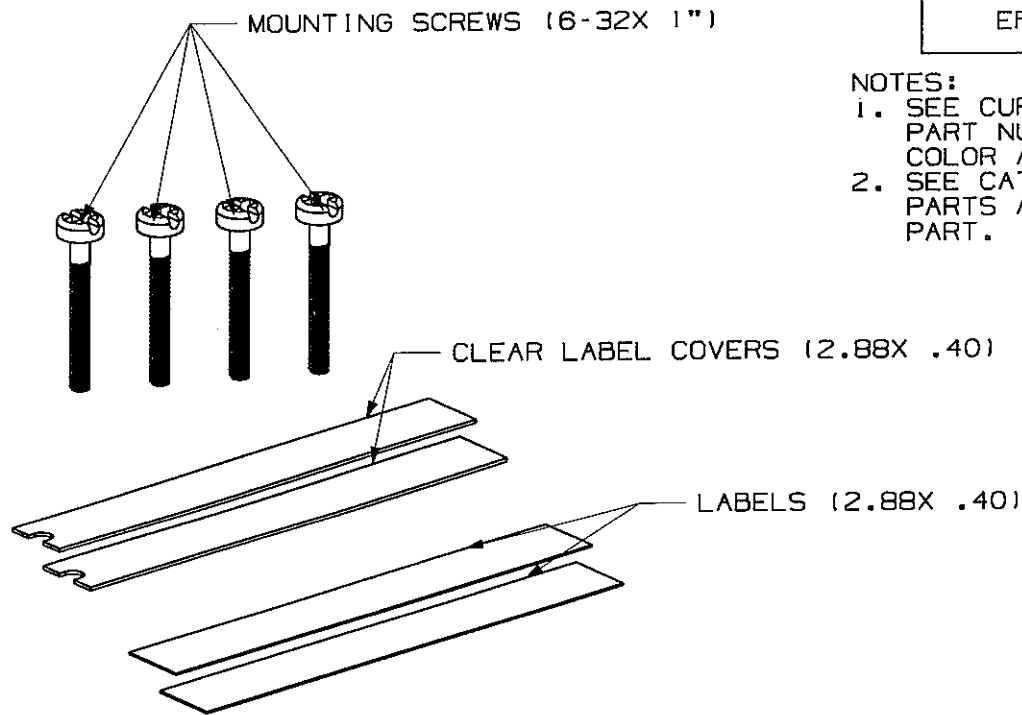


THIS COPY IS PROVIDED ON A RESTRICTED BASIS AND IS NOT TO BE USED IN ANY WAY DETRIMENTAL TO THE INTERESTS OF PANDUIT CORP.

| | |
|-------------|-----------------------------------|
| PANDUIT P/N | WEIGHT |
| EFPK102GY | .30 LB/10 PCS (136.1 g/10 PCS) |



NOTES:

1. SEE CURRENT CATALOG FOR ADDITIONAL PART NUMBER SUFFIXES TO INDICATE COLOR AND OR PACKAGE QUANTITY.
2. SEE CATALOG FOR COMPLETE LIST OF PARTS APPLICABLE FOR USE WITH THIS PART.

| | | | | | | | | | | | | | | | | | |
|-----|---------|-----|--------------------|------------------------|-----------|--------------------|--------------------|-----|-----|-----------------------------------------------------|--|------------------------------------------------------------------------------------------------------------------------------------------------------------|--|------------------|---|------|--|
| | | | | | | | | | | DRAWING FILENAME | | M024791W_DC233_00A.PRT | | SIZE | A | | |
| | | | | | | | | | | DOUBLE GANG FACEPLATE LABEL KIT CUSTOMER DRAWING | | | | | | | |
| | | | | | | | | | | PANDUIT ™ CORP. TINLEY PARK, ILL 60477 | | I.I. NUMBER | | N/A | | | |
| | | | | | | | | | | THIRD ANGLE PROJECTION | | ALL DIMENSIONS ARE GIVEN IN INCHES, UNLESS OTHERWISE SPECIFIED. DIMENSIONAL TOLERANCES ARE: (.X) ± (.XXX) ± .010(.3) (.XX) ± .031(.8) ANGLES ± | | PRODUCT SPEC | | N/A | |
| | | | | | | | | | | DRAWN BY | | JsP | | WORK INSTRUCTION | | N/A | |
| | | | | | | | | | | DATE | | 4-19-06 | | SCALE | | NONE | |
| | | | | | | | | | | MATERIAL: | | | | | | | |
| | | | | | | | | | | PART NO. | | EFPK102GY | | | | | |
| | | | | | | | | | | DRAWING NO. | | 02479-233 | | | | | |
| REV | DATE | BY | CHK | DESCRIPTION | ECN | R | CUST | SUP | OTH | | | | | | | | |
| R | 4-19-06 | JsP | <i>[Signature]</i> | RELEASED TO PRODUCTION | 02479-233 | <i>[Signature]</i> | <i>[Signature]</i> | | | | | | | | | | |

NETWORK SYSTEMS
MAY 26 2006
ENGINEERING DEPT