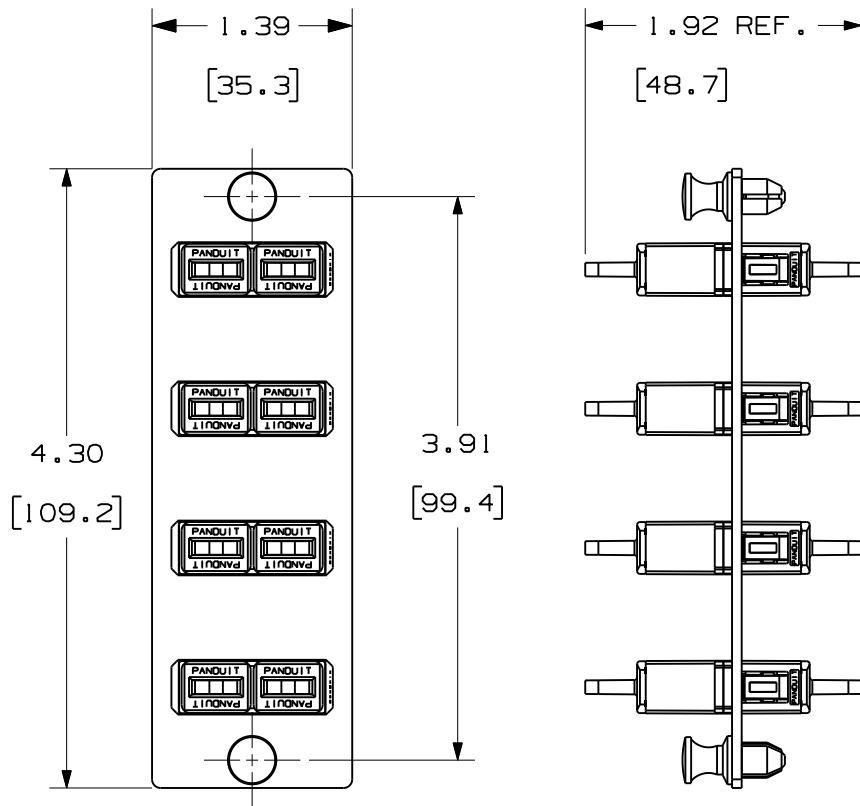


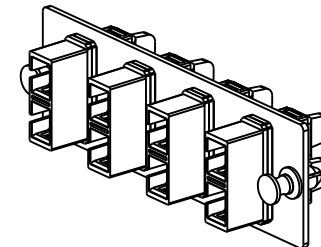
THIS COPY IS PROVIDED ON A RESTRICTED BASIS AND IS NOT TO BE USED IN ANY WAY DETRIMENTAL TO THE INTERESTS OF PANDUIT CORP.



PANDUIT P/N	ADAPTER COLOR	SPLIT SLEEVE TYPE
FAP4WAQDSC	AQUA	PHOS BRONZE
FAP4WBLDSC	BLACK	
FAP4WBUDSC	BLUE	
FAP4WE1DSC	ELECTRIC IVORY	ZIRCONIA
FAP4WAGDSCZ	APC GREEN	
FAP4WAQDSCZ	AQUA	
FAP4WBUDSCZ	BLUE	


NOTES:

- SEE CURRENT CATALOG FOR PART NUMBER SUFFIXES TO INDICATE COLOR AND/OR PACKAGE QUANTITIES.
- SEE CATALOG FOR COMPLETE LIST OF PARTS APPLICABLE FOR USE WITH THIS PRODUCT.
- MATERIALS:
 - PLATE: C.R.S. POWDER COATED
 - ADAPTER: COMPOSITE
 - SPLIT SLEEVE: SEE TABLE
- DIMENSIONS IN BRACKETS ARE METRIC.
- WEIGHT: 1.26 lbs [572.1 g] PER 10 PIECES.



REV	DATE	BY	CHK	DESCRIPTION	ECN	R	CUST	SUP	OTH
2	05-02-11	MC	MTV	RELEASED TO PRODUCTION	01945-31	MTV	CHDE		

4 POSITION DUPLEX SC
FIBER ADAPTER PANEL
CUSTOMER DRAWING



PANDUIT™
CORP.
TINLEY PARK, ILL 60477

ALL DIMENSIONS ARE GIVEN IN INCHES UNLESS OTHERWISE SPECIFIED.

DIMENSIONAL TOLERANCES ARE:
(.X) (.XXX) ±.010 [0.3]
(.XX) ±.03 [0.8] ANGLES

DRAWING FILENAME
MO1945AK_DC/01C

SCALE
NONE

PART NO.
FAP4W••DSC
FAP4W••DSCZ

THIRD ANGLE PROJECTION

DRAWN BY
MC

DATE
01-13-05

CHK'D
PJI

DRAWING NO.
01945-31

SIZE
A