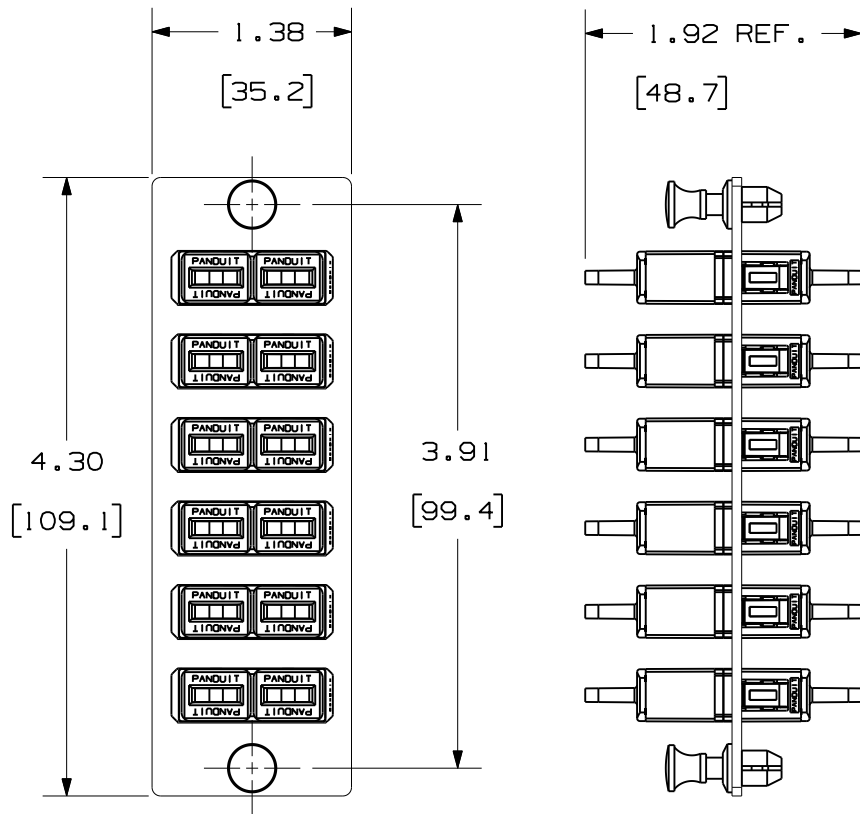


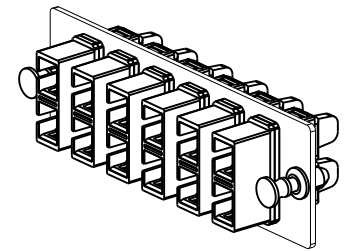
THIS COPY IS PROVIDED ON A RESTRICTED BASIS AND IS NOT TO BE USED IN ANY WAY DETRIMENTAL TO THE INTERESTS OF PANDUIT CORP.



PANDUIT P/N	ADAPTER COLOR	SPLIT SLEEVE TYPE
FAP6WAQDSC	AQUA	PHOS BRONZE
FAP6WBUDSC	BLUE	
FAP6WEIDSC	ELECTRIC IVORY	
FAP6WBLDSC	BLACK	ZIRCONIA
FAP6WAGDSCZ	APC GREEN	
FAP6WAQDSCZ	AQUA	
FAP6WBUDSCZ	BLUE	


NOTES:

1. SEE CURRENT CATALOG FOR PART NUMBER SUFFIXES TO INDICATE COLOR AND/OR PACKAGE QUANTITIES.
2. SEE CATALOG FOR COMPLETE LIST OF PARTS APPLICABLE FOR USE WITH THIS PRODUCT.
3. MATERIALS:
 - a. PLATE: C.R.S. POWDER COATED
 - b. ADAPTER: COMPOSITE
 - c. SPLIT SLEEVE: SEE TABLE
4. DIMENSIONS IN BRACKETS ARE METRIC.



REV	DATE	BY	CHK	DESCRIPTION	ECN	R	CUST	SUP	OTH
01	01-29-09	EFK		RELEASED TO PRODUCTION	01945-32				

6 POSITION DUPLEX SC
FIBER ADAPTER PANEL
CUSTOMER DRAWING



PANDUIT™
CORP.
TINLEY PARK, ILL 60477

ALL DIMENSIONS ARE GIVEN IN INCHES UNLESS OTHERWISE SPECIFIED.

DIMENSIONAL TOLERANCES ARE:
(.X) (.XXX) ± .010 (0.3)
(.XX) ± .03 (0.8) ANGLES

THIRD ANGLE PROJECTION

DRAWING FILENAME
MO1945AL_DC/01B

SCALE
NONE

PART NO.
FAP6W••DSC
FAP6W••DSCZ

DRAWING NO.
01945-32

SIZE
A

DRAWN BY
MC

DATE
01-13-05

CHK'D
PJI

REVIEW DRAWING NUMBERS