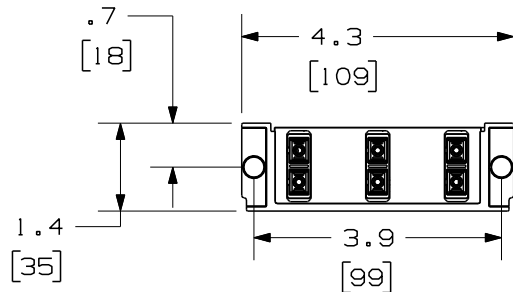
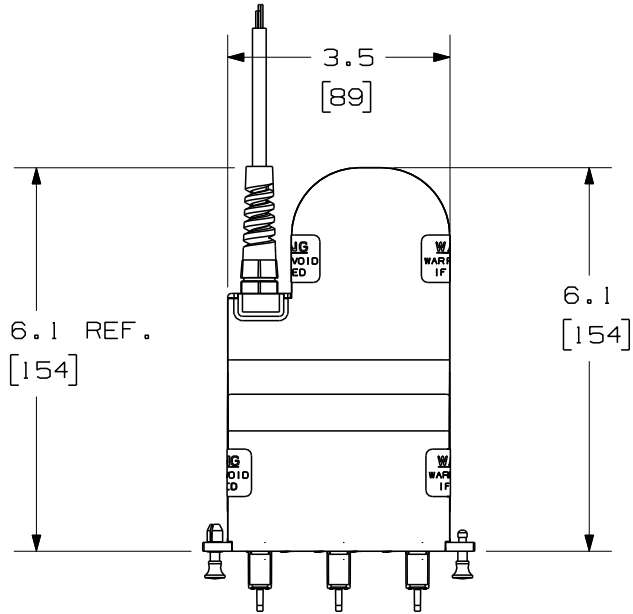


THIS COPY IS PROVIDED ON A RESTRICTED BASIS AND IS NOT TO BE USED IN ANY WAY DETRIMENTAL TO THE INTEREST OF PANDUIT CORP.

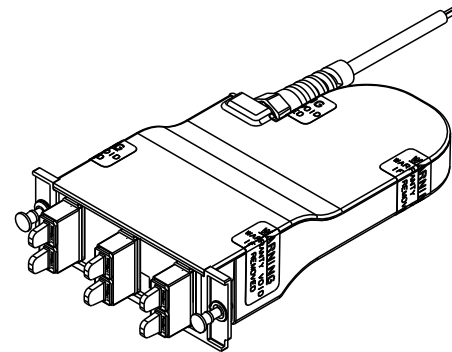


FRONT VIEW
SHOWN W/O DUSTCAPS

PANDUIT P/N	DESCRIPTION
FC6SCMP5Y	62.6/125um MULTIMODE 6 FIBER SC PIGTAIL CASSETTE MODULE
FC6SCSP5Y	9/125um SINGLEMODE 6 FIBER SC PIGTAIL CASSETTE MODULE
FCX63D2.5M1Y	50/125um MULTIMODE 6 FIBER SC PIGTAIL CASSETTE MODULE

NOTES:

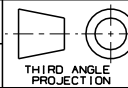
- SEE CURRENT CATALOG FOR PART NUMBER SUFFIXES TO INDICATE COLOR AND/OR PACKAGE QUANTITIES.
- SEE CATALOG FOR COMPLETE LIST OF PARTS APPLICABLE FOR USE WITH THIS PRODUCT.
- MATERIALS:
A. BOX AND LID: PLASTIC
B. ADAPTER: COMPOSITE PLASTIC
- DIMENSIONS IN BRACKETS ARE METRIC.



FIBER OPTIC CASSETTE MODULE
6 FIBER SC PIGTAIL CONFIGURATION
CUSTOMER DRAWING



PANDUIT™
CORP.
TINLEY PARK, ILL 60477



ALL DIMENSIONS ARE GIVEN IN INCHES, UNLESS OTHERWISE SPECIFIED.
DIMENSIONAL TOLERANCES ARE:
(.X) (.XXX) ± .010 (0.3)
(.XX) ± .03 (0.8) ANGLES

DRAWING FILENAME
M02068AN_DC_3DSCY_00A.prt
SCALE
NONE

DRAWN BY
JH

REVIEW DRAWING NUMBERS

PART NO.
SEE TABLE

DATE
04-13-06

DRAWING NO.
02068-41

CHK'D

SIZE
A

REV	DATE	BY	CHK	DESCRIPTION	ECN	R	CUST	SUP	OTH
R	12-15-06	MC		RELEASED TO PRODUCTION	02068-41				