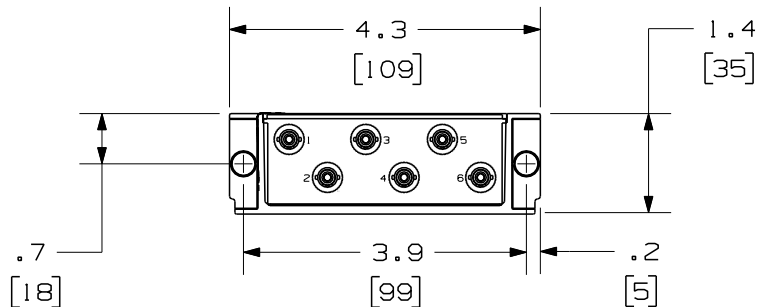
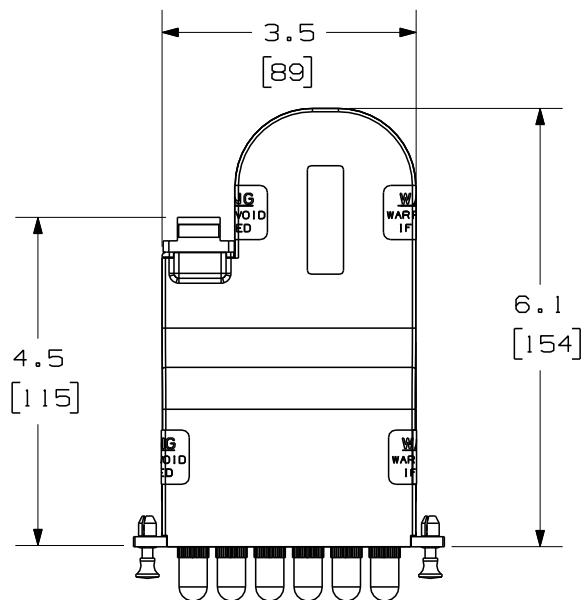


THIS COPY IS PROVIDED ON A RESTRICTED BASIS AND IS NOT TO BE USED IN ANY WAY DETRIMENTAL TO THE INTERESTS OF PANDUIT CORP.

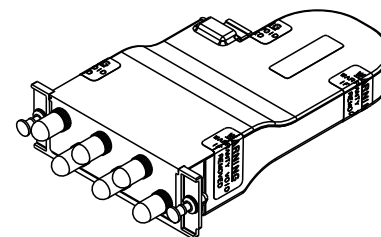


FRONT VIEW
SHOWN W/O DUSTCAPS

PANDUIT P/N	DESCRIPTION
FC6STMFCMY	62.5/125 MULTIMODE 6 FIBER, MTP TO ST CASSETTE MODULE
FC6STMFCSY	9/125 SINGLEMODE 6 FIBER, MTP TO ST CASSETTE MODULE

NOTES:

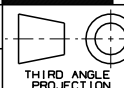
- SEE CURRENT CATALOG FOR PART NUMBER SUFFIXES TO INDICATE COLOR AND/OR PACKAGE QUANTITIES.
- SEE CATALOG FOR COMPLETE LIST OF PARTS APPLICABLE FOR USE WITH THIS PRODUCT.
- MATERIALS:
 - MODULE MATERIAL: PLASTIC
 - ADAPTER: METALLIC WITH PLASTIC CAPS
- CASSETTE MODULE WEIGHT: 6.0oz [169.6g]
- DIMENSIONS IN BRACKETS ARE METRIC.



FIBER OPTIC CASSETTE MODULE
6 FIBER, MTP TO ST CONFIGURATION
CUSTOMER DRAWING



PANDUIT™
CORP.
TINLEY PARK, ILL 60477



THIRD ANGLE
PROJECTION

ALL DIMENSIONS ARE GIVEN IN INCHES,
UNLESS OTHERWISE SPECIFIED.
DIMENSIONAL TOLERANCES ARE:
(.X) (.XXX) ± .010 (0.3)
(.XX) ± .03 (0.8) ANGLES

DRAWING FILENAME
M02068A1_DC-Y_00B.prt

SCALE
NONE

DRAWN BY
MC

REVIEW DRAWING NUMBERS

PART NO.
SEE TABLE

DATE
12-09-04

DRAWING NO.
02068-37

SIZE
A

REV	DATE	BY	CHK	DESCRIPTION	ECN	R	CUST	SUP	OTH
R	12-15-06	MC		RELEASED TO PRODUCTION	02068-37				

<p>FIBER OPTIC CASSETTE MODULE 6 FIBER, MTP TO ST CONFIGURATION CUSTOMER DRAWING</p>									
<p>PANDUIT™ CORP. TINLEY PARK, ILL 60477</p>					<p>ALL DIMENSIONS ARE GIVEN IN INCHES, UNLESS OTHERWISE SPECIFIED. DIMENSIONAL TOLERANCES ARE: (.X) (.XXX) ± .010 (0.3) (.XX) ± .03 (0.8) ANGLES</p>				
<p>THIRD ANGLE PROJECTION</p>					<p>DRAWING FILENAME M02068A1_DC-Y_00B.prt</p>				
<p>DRAWN BY MC</p>					<p>SCALE NONE</p>				
<p>DATE 12-09-04</p>					<p>PART NO. SEE TABLE</p>				
<p>REVIEW DRAWING NUMBERS</p>					<p>DRAWING NO. 02068-37</p>				
<p>CHK'D</p>					<p>SIZE A</p>				