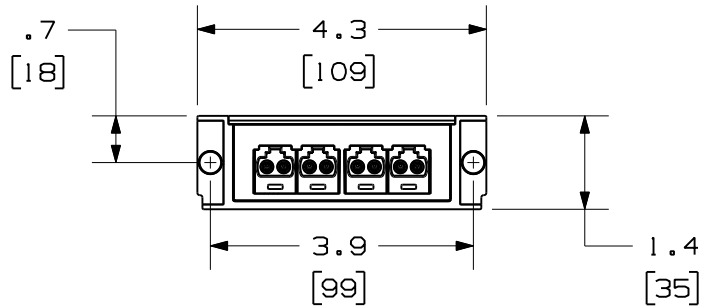
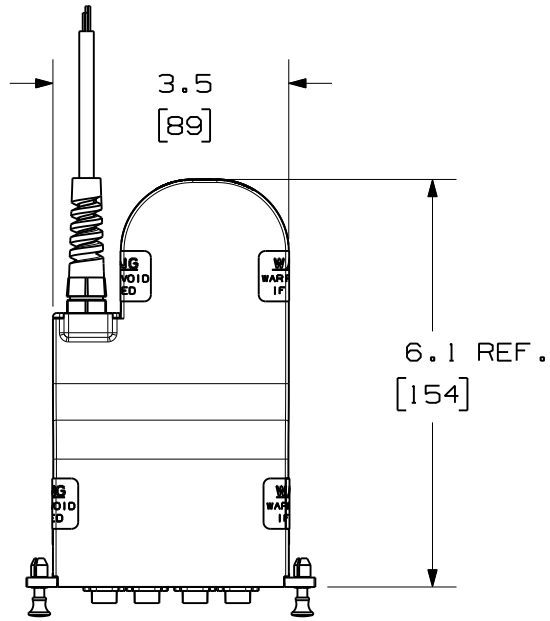


THIS COPY IS PROVIDED ON A RESTRICTED BASIS AND IS NOT TO BE USED IN ANY WAY DETRIMENTAL TO THE INTERESTS OF PANDUIT CORP.

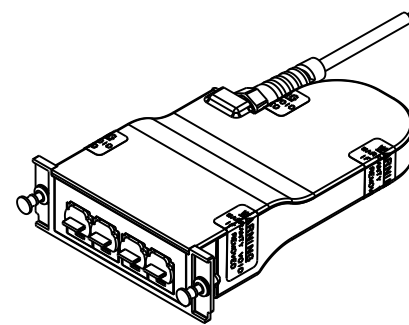


FRONT VIEW  
SHOWN W/O DUSTCAPS

PANDUIT P/N	DESCRIPTION
FC8FJMP5Y	62.5/125um MULTIMODE 8 FIBER FJJ PIGTAIL CASSETTE MODULE
FC8FJSP5Y	9/125um SINGLEMODE 8 FIBER FJJ PIGTAIL CASSETTE MODULE

NOTES:

- SEE CURRENT CATALOG FOR PART NUMBER SUFFIXES TO INDICATE COLOR AND/OR PACKAGE QUANTITIES.
- SEE CATALOG FOR COMPLETE LIST OF PARTS APPLICABLE FOR USE WITH THIS PRODUCT.
- MATERIALS:  
A. BOX AND LID: PLASTIC  
B. ADAPTER: COMPOSITE PLASTIC
- ALL MATERIALS AND COMPONENTS USED MEET THE MATERIAL RESTRICTIONS OF RoHS, (EUROPEAN DIRECTIVE 2002/95/EC ON THE RESTRICTION OF HAZARDOUS SUBSTANCES) AS PROPOSED BY THE RoHS TECHNICAL ADAPTATION COMMITTEE.
- DIMENSIONS IN BRACKETS ARE METRIC [ mm ].

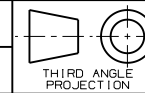


REV	DATE	BY	CHK	DESCRIPTION	ECN	R	CUST	SUP	OTH
R	08-01-07	MC		RELEASED TO PRODUCTION	02068-52				

FIBER OPTIC CASSETTE MODULE  
8 FIBER FJJ PIGTAIL CONFIGURATION  
CUSTOMER DRAWING



**PANDUIT**™  
CORP.  
TINLEY PARK, ILL 60477



ALL DIMENSIONS ARE GIVEN IN INCHES  
UNLESS OTHERWISE SPECIFIED.  
DIMENSIONAL TOLERANCES ARE:  
(.X) ±.010 (0.3)  
(.XX) ±.03 (0.8) ANGLES

DRAWING FILENAME  
M02068AT\_DC\_FJ\_00A.prt

SCALE  
NONE

DRAWN BY  
MC

REVIEW DRAWING NUMBERS

PART NO.  
SEE TABLE

DATE  
07-31-07

DRAWING NO.  
02068-52

CHK'D

SIZE  
A