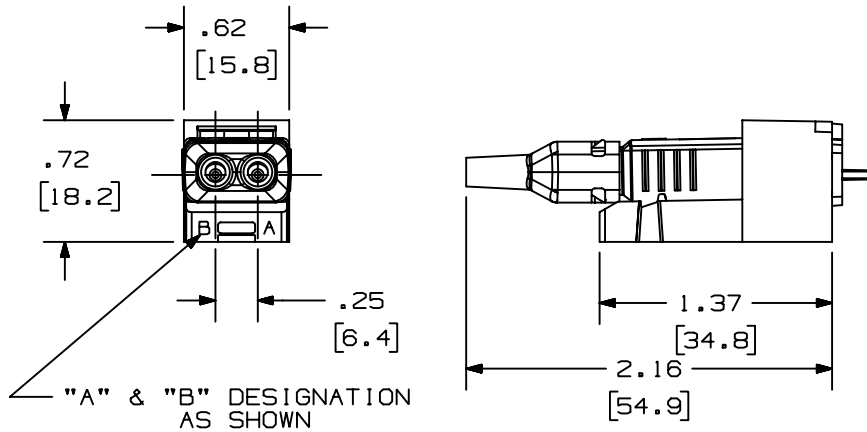


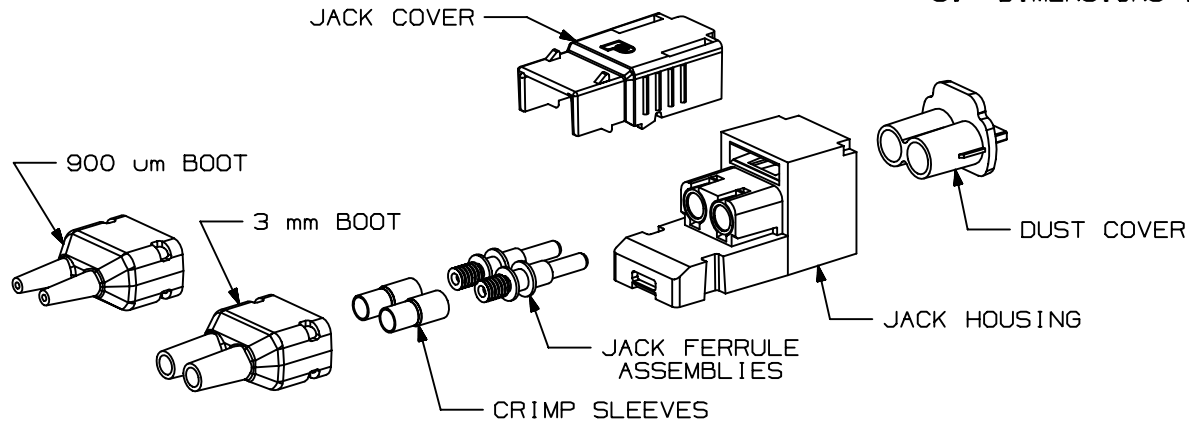
THIS COPY IS PROVIDED ON A RESTRICTED BASIS AND IS NOT TO BE USED IN ANY WAY DETRIMENTAL TO THE INTERESTS OF PANDUIT CORP.



PANDUIT P/N	WEIGHT	FERRULE TYPE
FJJGM5C**	.294 LB/10 PCS. (134.0 G/10 PCS.)	ZIRCONIA (CERAMIC)

NOTES:

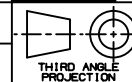
- SEE CURRENT CATALOG FOR ADDITIONAL PART NUMBER SUFFIXES TO INDICATE COLOR AND OR PACKAGE QUANTITY.
- OPTI-JACK ACCEPTS HIGH PERFORMANCE 50/125 OR 62.5/125  $\mu$ m MULTIMODE GLASS OPTICAL FIBER CABLE.
- THE MAXIMUM INSERTION LOSS PER CONNECTOR IS .75 dB. OPERATING TEMPERATURE RANGE IS FROM -40° TO +70°C.
- FULLY COMPLIES WITH THE FIBER OPTIC CONNECTOR PERFORMANCE REQUIREMENTS AS SPECIFIED IN TIA/EIA-568-A.
- DIMENSIONS IN PARENTHESSES ARE IN METRIC.



FIBER-OPTIC CONNECTOR-DUPLEX JACK  
CUSTOMER DRAWING



**PANDUIT**™  
CORP.  
TINLEY PARK, ILL 60477



ALL DIMENSIONS ARE GIVEN IN INCHES UNLESS OTHERWISE SPECIFIED.  
DIMENSIONAL TOLERANCES ARE:  
(.X) ±.2 (5.0) (.XXX) ±.010 (0.3)  
(.XX) ±.02 (0.5) ANGLES ±1°

DRAWING FILENAME  
D35560DR\_DC\_FJJGM\_01D.prt  
SCALE  
NONE

DRAWN BY  
TPC

REVIEW DRAWING NUMBERS

PART NO.  
FJJGM5C\*\*

REV	DATE	BY	CHK	DESCRIPTION	ECN	R	CUST	SUP	OTH
4	05-11-05	MYW		RELEASED TO PRODUCTION	35560-69				

DATE  
12-31-96  
CHK'D  
CEF

SEE NOTES

DRAWING NO.  
35560-69  
SIZE  
A