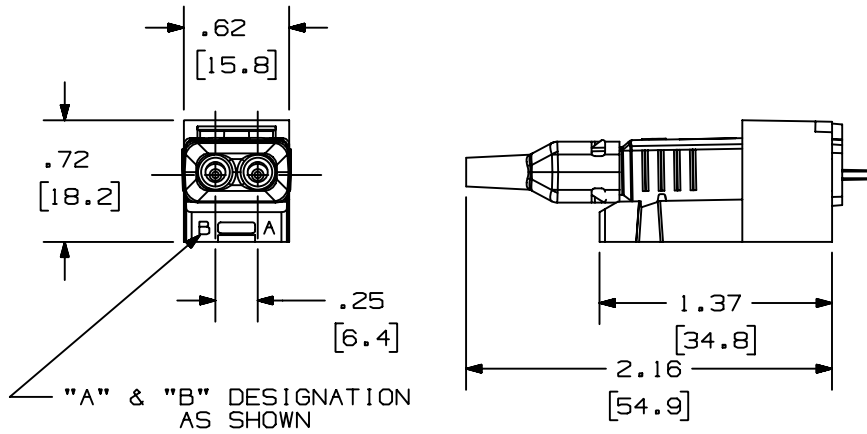


THIS COPY IS PROVIDED ON A RESTRICTED BASIS AND IS NOT TO BE USED IN ANY WAY DETRIMENTAL TO THE INTERESTS OF PANDUIT CORP.



PANDUIT P/N	WEIGHT	FERRULE TYPE
FJJGM5C**	.294 LB/10 PCS. (134.0 G/10 PCS.)	ZIRCONIA (CERAMIC)



- NOTES:
- SEE CURRENT CATALOG FOR ADDITIONAL PART NUMBER SUFFIXES TO INDICATE COLOR AND OR PACKAGE QUANTITY.
 - OPTI-JACK ACCEPTS HIGH PERFORMANCE 50/125 OR 62.5/125 μ m MULTIMODE GLASS OPTICAL FIBER CABLE.
 - THE MAXIMUM INSERTION LOSS PER CONNECTOR IS .75 dB. OPERATING TEMPERATURE RANGE IS FROM -40° TO +70°C.
 - FULLY COMPLIES WITH THE FIBER OPTIC CONNECTOR PERFORMANCE REQUIREMENTS AS SPECIFIED IN TIA/EIA-568-A.
 - DIMENSIONS IN PARENTHESSES ARE IN METRIC.

JACK COVER

900 μ m BOOT

3 mm BOOT

JACK FERRULE ASSEMBLIES

CRIMP SLEEVES

JACK HOUSING

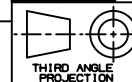
DUST COVER

DRAWING FILENAME: D35560DR_DC_FJJGM_01C.PRT (1)

SIZE: A

FIBER-OPTIC CONNECTOR-DUPLEX JACK (FJJGM5C**) CUSTOMER DRAWING

PANDUIT™
TINLEY PARK, ILL 60477



ALL DIMENSIONS ARE GIVEN IN INCHES, UNLESS OTHERWISE SPECIFIED.
DIMENSIONAL TOLERANCES ARE:
(.X) .2 (.XXX) .010
(.XX) .02 ANGLES 1°

DRAWN BY: TPC

DATE: 12-31-96

CHK'D: CEF

I.I. NUMBER	
PRODUCT SPEC	
WORK INSTRUCTION	
SCALE	NONE
PART NO.	FJJGM5C**
DRAWING NO.	35560-69

REV	DATE	BY	CHK	DESCRIPTION	ECN	R	CUST	SUP	OTH
3	01-25-02	MC		H. UPDATED TITLE BLOCK. G. NOTE #2, ADDED '50/125 OR'. F. UPDATED EXPLODED ISOMETRIC VIEW.	35560-69				
2	06-01-99	TA	CVM	E. REPLACED JACK ASSY WITH CORRECT REV. D. REPLACED COVER WITH CORRECT PART. C. REPLACED BOOTS WITH CORRECT PART.	35560-69	CVM	CVM		
1	4-4-97	RCA	CEF	B. CHANGED FJJGM5C1 TO FJJGM5C**. A. REVISED NOTE 1.	35560-69	CEF			
R	12-31-96	CEF	CEF	RELEASED TO PRODUCTION	35560-69	CEF			