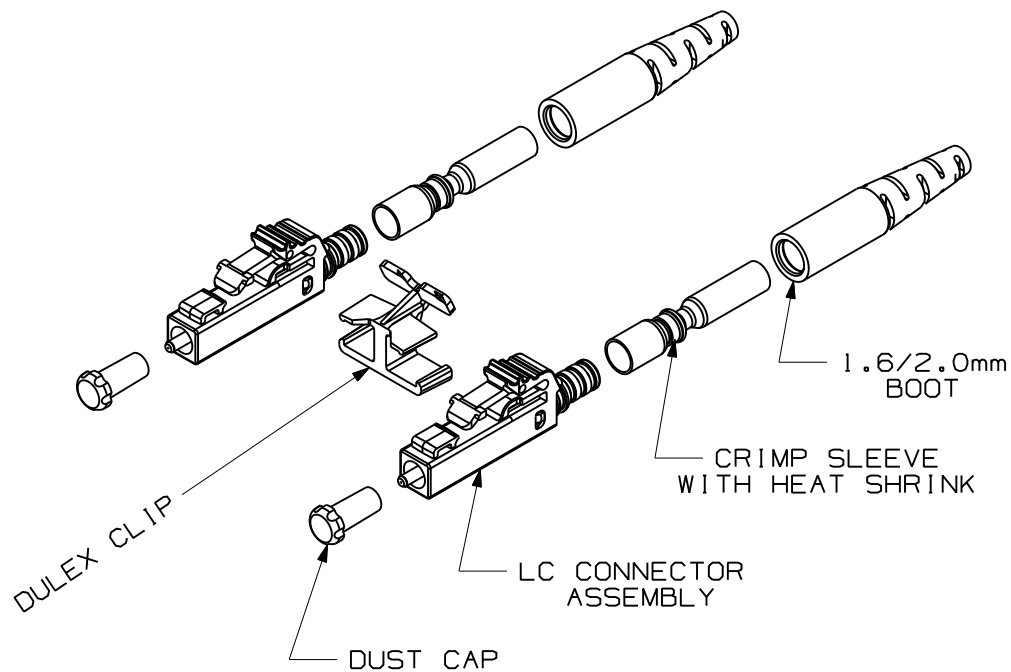


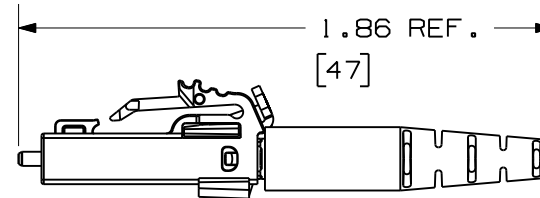
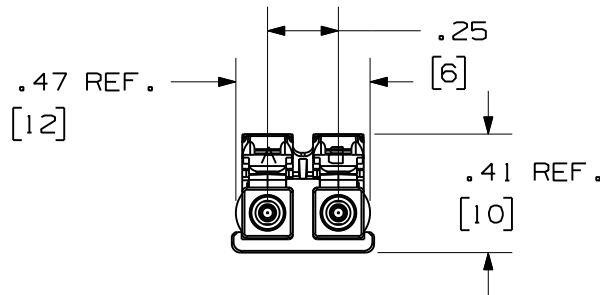
THIS COPY IS PROVIDED ON A RESTRICTED BASIS AND IS NOT TO BE USED IN ANY WAY DETRIMENTAL TO THE INTERESTS OF PANDUIT CORP.



PANDUIT PART NUMBER	TYPE	FOR USE WITH
FLCDSBUY	SINGLEMODE	9/125um FIBER
FLCDMBLY	MULTIMODE	50/125um FIBER
FLCDMEIY	MULTIMODE	62.5/125um FIBER

NOTES:

- SEE CATALOG FOR ADDITIONAL PART NUMBER SUFFIXES TO INDICATE COLOR AND/OR PACKAGE QUANTITY.
- ACCEPTS 1.6/2.0mm, 9/125um SINGLEMODE, 50/125um MULTIMODE OR 62.5/125um MULTIMODE GLASS OPTICAL FIBER.
- FULLY COMPLIES WITH THE FIBER OPTIC CONNECTOR PERFORMANCE REQUIREMENTS AS SPECIFIED BY TIA/EIA-568-B.3.
- MATERIAL:  
 BODY/HARDWARE: PLASTIC  
 BOOT: THERMOPLASTIC RUBBER  
 FERRULE: ZIRCONIA CERAMIC
- DIMENSIONS IN BRACKETS ARE METRIC [mm].
- WEIGHT PER 10 PIECES, .069 lb [16.7g]



REV	DATE	BY	CHK	DESCRIPTION	ECN	R	CUST	SUP	OTH
2	09-01-11	MC	MTV	RELEASED TO PRODUCTION	01371-48	MTV	RWB		

FIBER OPTIC SINGLEMODE/MULTIMODE  
 DUPLEX LC CONNECTOR  
 CUSTOMER DRAWING

**PANDUIT**™  
 CORP.  
 TINLEY PARK, ILL 60477

 THIRD ANGLE PROJECTION	ALL DIMENSIONS ARE GIVEN IN INCHES UNLESS OTHERWISE SPECIFIED. DIMENSIONAL TOLERANCES ARE: (.X) ±.03   (.XXX) ±.010   (.3) ±.01 (.XX) ±.03   (.8) ANGLES	DRAWING FILENAME M01371AA_DC-Y/08A SCALE NONE
DRAWN BY MC	REVIEW DRAWING NUMBERS	PART NO. FLCDSBUY FLCDMBLY/FLCDMEIY
DATE 03-07-07	CHK'D JDK	DRAWING NO. 01371-48 SIZE A