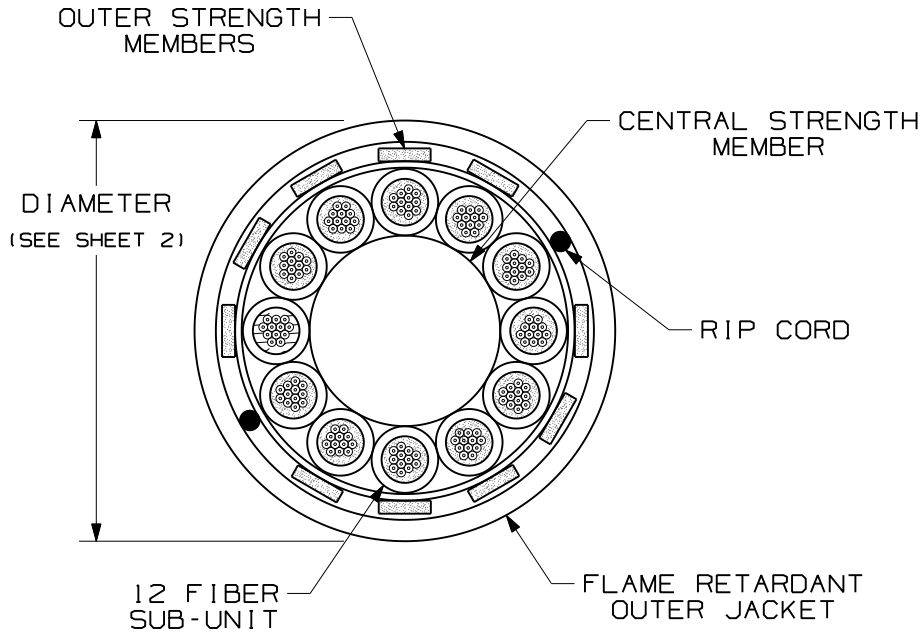


THIS COPY IS PROVIDED ON A RESTRICTED BASIS AND IS NOT TO BE USED IN ANY WAY DETRIMENTAL TO THE INTEREST OF PANDUIT CORP.

NOTES:

1. DIAMETER DIMENSION SHOWN FOR REFERENCE ONLY.
2. DIMENSIONS IN BRACKETS [] ARE ENGLISH.
3. ALL MATERIALS AND COMPONENTS USED MUST MEET THE MATERIAL RESTRICTIONS OF RoHS (EUROPEAN DIRECTIVE 2002/95/EC ON THE RESTRICTION OF HAZARDOUS SUBSTANCES AS PROPOSED BY THE RoHS TECHNICAL ADAPTATION COMMITTEE).



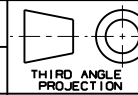
TECHNICAL SPECIFICATIONS		
MAXIMUM LOSS		SINGLEMODE MAXIMUM LOSS
3.5 dB/KM @ 850nm 1.5 dB/KM @ 1300nm		.75 dB/KM @ 1310nm .75 dB/KM @ 1500nm
TENSILE LOAD - RISER RATED		
INSTALLATION		LONG TERM
2670 N (600 lbf)		890 N (200 lbf)
TEMPERATURE		
INSTALLATION	OPERATION	STORAGE
-30° C TO +60° C -22° F TO +140° F	-40° C TO +70° C -40° F TO +158° F	-40° C TO +75° C -40° F TO +167° F

REV	DATE	BY	CHK	DESCRIPTION	ECN	R	CUST	SUP	OTH
02	10-28-09	EFK		RELEASED TO PRODUCTION	02055-93				

OPTI-CORE 144 FIBER INDOOR-OUTDOOR CABLE WITH (12) 12 FIBER SUB-UNITS
CUSTOMER DRAWING



PANDUIT™
CORP.
TINLEY PARK, ILL 60477



ALL DIMENSIONS ARE GIVEN IN INCHES, UNLESS OTHERWISE SPECIFIED.
DIMENSIONAL TOLERANCES ARE:
(.X) (.XXX) ± 0.3 (.010)
(.XX) ± 0.8 (.03) ANGLES

DRAWING FILENAME
MO2055BZ_DC_144/00C
SCALE
NONE

DRAWN BY
MC
DATE
06-03-05
CHK'D
WMA

REVIEW DRAWING NUMBERS


PART NO. FSN**1AY
FON**1AY
DRAWING NO. 02055-93
SHEET 1 OF 2
SIZE A

THIS COPY IS PROVIDED ON A RESTRICTED BASIS AND IS NOT TO BE USED IN ANY WAY DETRIMENTAL TO THE INTERESTS OF PANDUIT CORP.

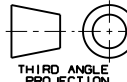
PANDUIT PART NUMBER	FIBER TYPE	JACKET RATING	DIAMETER	BEND RADIUS	
				INSTALLATION	LONG TERM
FSNR91AY	SINGLEMODE 9/125	OFNR	18.1mm [0.713"]	27.2cm (10.7")	18.1cm [7.1"]
FSNL91AY		OFNR-LS			
FSNP91AY		OFNP	17.6mm [0.693"]	26.4cm (10.4")	17.6cm [6.9"]
FSNR61AY	MULTIMODE 62.5/125	OFNR	18.1mm [0.713"]	27.2cm (10.7")	18.1cm [7.1"]
FSNL61AY		OFNR-LS			
FSNP61AY		OFNP	17.6mm [0.693"]	26.4cm (10.4")	17.6cm [6.9"]
FSNR51AY	MULTIMODE 50/125	OFNR	18.1mm [0.713"]	27.2cm (10.7")	18.1cm [7.1"]
FSNL51AY		OFNR-LS			
FSNP51AY		OFNP	17.6mm [0.693"]	26.4cm (10.4")	17.6cm [6.9"]
FONRX1AY	MULTIMODE 50/125 OM3	OFNR	18.1mm [0.713"]	27.2cm (10.7")	18.1cm [7.1"]
FONLX1AY		OFNR-LS			
FONPX1AY		OFNP	17.6mm [0.693"]	26.4cm (10.4")	17.6cm [6.9"]
FONRZ1AY	MULTIMODE 50/125 OM4	OFNR	18.1mm [0.713"]	27.2cm (10.7")	18.1cm [7.1"]
FONPZ1AY		OFNP	17.6mm [0.693"]	26.4cm (10.4")	17.6cm [6.9"]

02	10-28-09	EFK		RELEASED TO PRODUCTION	02055-93								
REV	DATE	BY	CHK	DESCRIPTION	ECN	R	CUST	SUP	OTH	CHK'D	WMA		

OPTI-CORE 144 FIBER INDOOR-OUTDOOR CABLE
WITH (12) 12 FIBER SUB-UNITS
CUSTOMER DRAWING



PANDUIT™
CORP.
TINLEY PARK, ILL 60477



THIRD ANGLE
PROJECTION

ALL DIMENSIONS ARE GIVEN IN INCHES,
UNLESS OTHERWISE SPECIFIED.
DIMENSIONAL TOLERANCES ARE:
(.X) (.XXX)±0.3 (.010)
(.XX)±0.8 (.03) ANGLES

DRAWING FILENAME
MO2055BZ_DC_144/00C
SCALE
NONE

DRAWN BY
MC

DATE
06-03-05

CHK'D
WMA

REVIEW DRAWING NUMBERS

PART NO. FSN**1AY
FON**1AY

DRAWING NO. 02055-93
SHEET 2 OF 2

SIZE
A