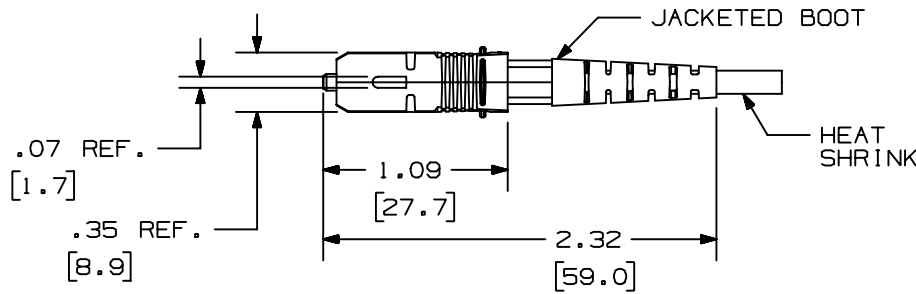
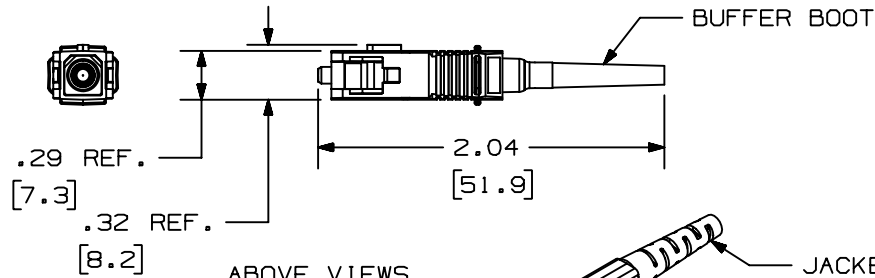


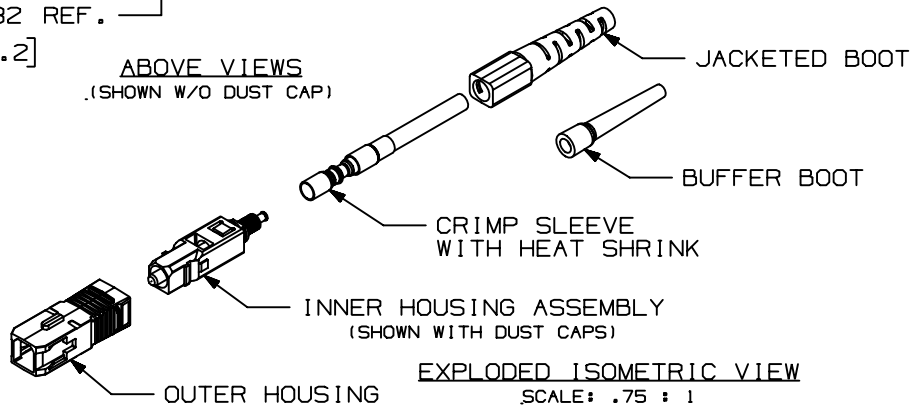
THIS COPY IS PROVIDED ON A RESTRICTED BASIS AND IS NOT TO BE USED IN ANY WAY DETRIMENTAL TO THE INTERESTS OF PANDUIT CORP.



PANDUIT P/N	FIBER SIZE (MICRONS)	WEIGHT
FSCMM2.0**	62.5/125	.082 lb/10 PCS (37.0 g/10 PCS)
FSCMM502.0**	50/125	.082 lb/10 PCS (37.0 g/10 PCS)



ABOVE VIEWS  
(SHOWN W/O DUST CAP)



EXPLODED ISOMETRIC VIEW  
SCALE: .75 : 1

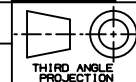
NOTES:

- SEE CURRENT CATALOG FOR ADDITIONAL PART NUMBER SUFFIXES TO INDICATE COLOR AND/OR PACKAGE QUANTITY.
- MATERIALS:
  - A. OUTER HOUSING: POLYETHERIMIDE
  - B. BOOTS: THERMOPLASTIC ELASTOMER
  - C. CRIMP SLEEVE: ALUMINUM WITH HEAT SHRINK
  - D. INNER HOUSING ASSEMBLY:
    - a. INNER HOUSING: POLYCARBONATE
    - b. SPRING: STAINLESS STEEL
    - c. BACKBONE: NICKEL PLATED BRASS
    - d. FERRULE HOLDER: ALUMINUM
    - e. FERRULE: ZIRCONIA (CERAMIC)
- COMPLIES WITH THE FIBER OPTIC PERFORMANCE REQUIREMENTS AS SPECIFIED IN TIA/EIA 568-A AND B.3
- COMPLIES WITH FOCIS-3 (TIA/EIA 604-3)
- DIMENSIONS IN BRACKETS ARE METRIC.

OPTI-CRIMP SC MULTIMODE PRE-POLISHED CRIMP FIBER OPTIC CONNECTOR FOR 2.0mm/1.6mm JACKETED & 900um BUFFER TERMINATIONS  
CUSTOMER DRAWING



**PANDUIT**™  
CORP.  
TINLEY PARK, ILL 60477



ALL DIMENSIONS ARE GIVEN IN INCHES, UNLESS OTHERWISE SPECIFIED,  
DIMENSIONAL TOLERANCES ARE:  
(.X) (.XXX)±.010 (0.3)  
(.XX)±.03 (0.8) ANGLES

DRAWING FILENAME  
M01241AH\_DC\_00A.prt  
SCALE

DRAWN BY

REVIEW DRAWING NUMBERS

PART NO. FSCMM2.0\*\*  
FSCMM502.0\*\*

R	09-17-04	MC		RELEASED TO PRODUCTION	01241-23								
REV	DATE	BY	CHK	DESCRIPTION	ECN	R	CUST	SUP	OTH	CHK'D			

DATE

DATE

DRAWING NO. 01241-23  
SIZE A