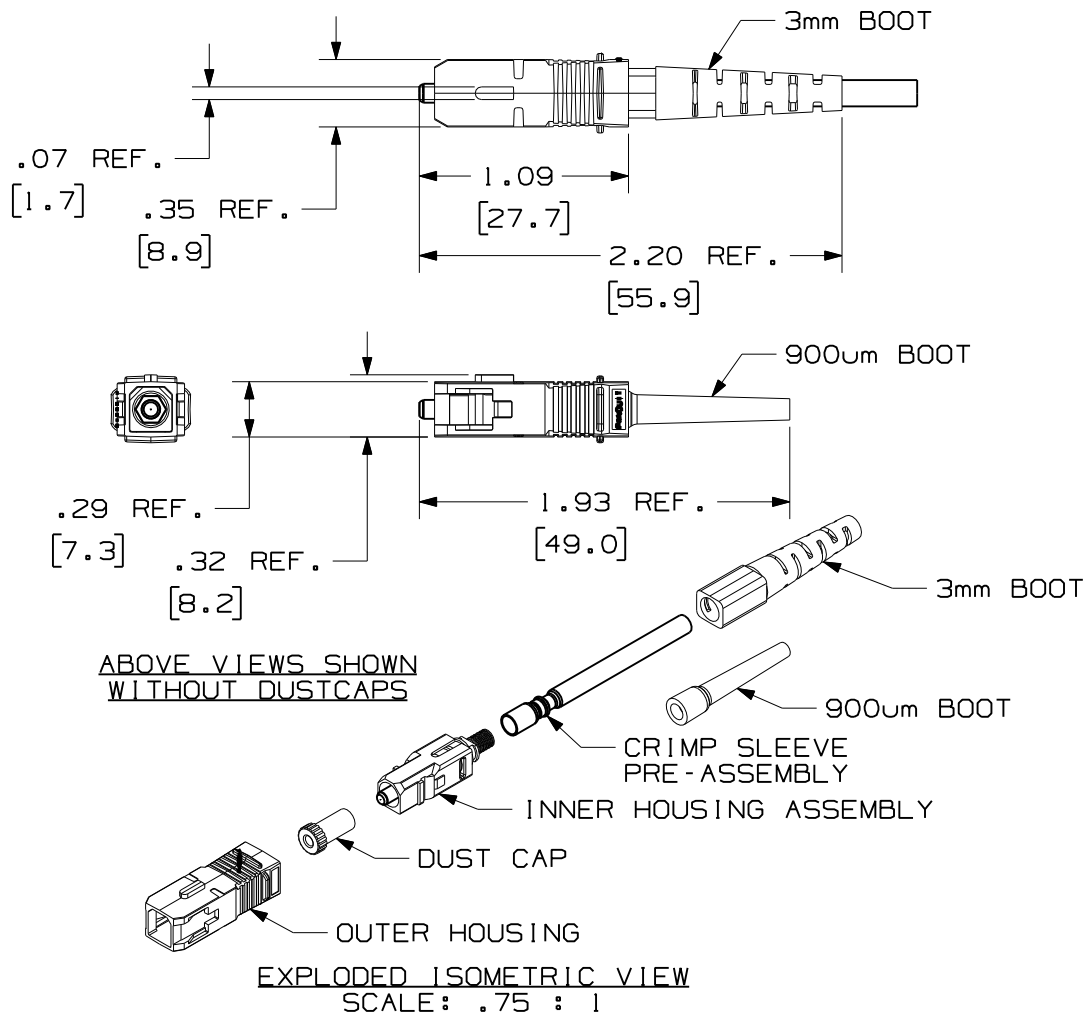


THIS COPY IS PROVIDED ON A RESTRICTED BASIS AND IS NOT TO BE USED IN ANY WAY DETRIMENTAL TO THE INTERESTS OF PANDUIT CORP.




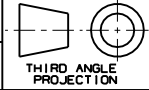
PANDUIT P/N	WEIGHT	FERRULE TYPE
FSCM2.0**	.090 LBS/10 PCS.	ZIRCONIA
FSCS2.0BU	(40.8 G/10 PCS.)	(CERAMIC)

NOTES:

1. SEE CURRENT CATALOG FOR ADDITIONAL PART NUMBER SUFFIXES TO INDICATE COLOR AND/OR PACKAGE QUANTITY.
2. MULTIMODE CONNECTORS (FSCM2.0\*\*) ACCEPT 50/125 OR 62.5/125  $\mu$ m MULTIMODE GLASS OPTICAL FIBER.
3. SINGLEMODE CONNECTORS (FSCS2.0BU) ACCEPT 9/125  $\mu$ m SINGLEMODE GLASS OPTICAL FIBER.
4. COMPLIES WITH THE FIBER OPTIC PERFORMANCE REQUIREMENTS AS SPECIFIED IN TIA/EIA 568-A AND B.3.
5. COMPLIES WITH FOCIS-3 (TIA/EIA 604-3).
6. DIMENSIONS IN PARENTHESIS ARE METRIC.

REV	DATE	BY	CHK	DESCRIPTION	ECN	R	CUST	SUP	OTH
R	05-30-06	JH		RELEASED TO PRODUCTION					

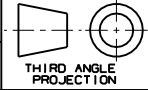
  

		<b>PANDUIT</b> <sup>TM</sup> CORP. TINLEY PARK, ILL 60477	
 THIRD ANGLE PROJECTION		ALL DIMENSIONS ARE GIVEN IN INCHES, UNLESS OTHERWISE SPECIFIED. DIMENSIONAL TOLERANCES ARE: (.X) $\pm$ .03    (.XXX) $\pm$ .005 (.XX) $\pm$ .01    ANGLES $\pm$ 1°	
DRAWN BY: JH		REVIEW DRAWING NUMBERS:	
DATE: 05-23-06		PART NO. FSCM2.0** FSCS2.0BU	
CHK'D:		DRAWING NO. 01069-20	
		SIZE A	

FIBER OPTIC SC CONNECTOR  
CUSTOMER DRAWING



**PANDUIT**<sup>TM</sup>  
CORP.  
TINLEY PARK, ILL 60477



ALL DIMENSIONS ARE GIVEN IN INCHES, UNLESS OTHERWISE SPECIFIED.  
DIMENSIONAL TOLERANCES ARE:  
(.X)  $\pm$ .03    (.XXX)  $\pm$ .005  
(.XX)  $\pm$ .01    ANGLES  $\pm$  1°

DRAWING FILENAME: MO1069AD\_DC\_00A  
SCALE: NONE

DRAWN BY: JH  
DATE: 05-23-06  
CHK'D:

REVIEW DRAWING NUMBERS:

PART NO. FSCM2.0\*\* FSCS2.0BU  
DRAWING NO. 01069-20  
SIZE A