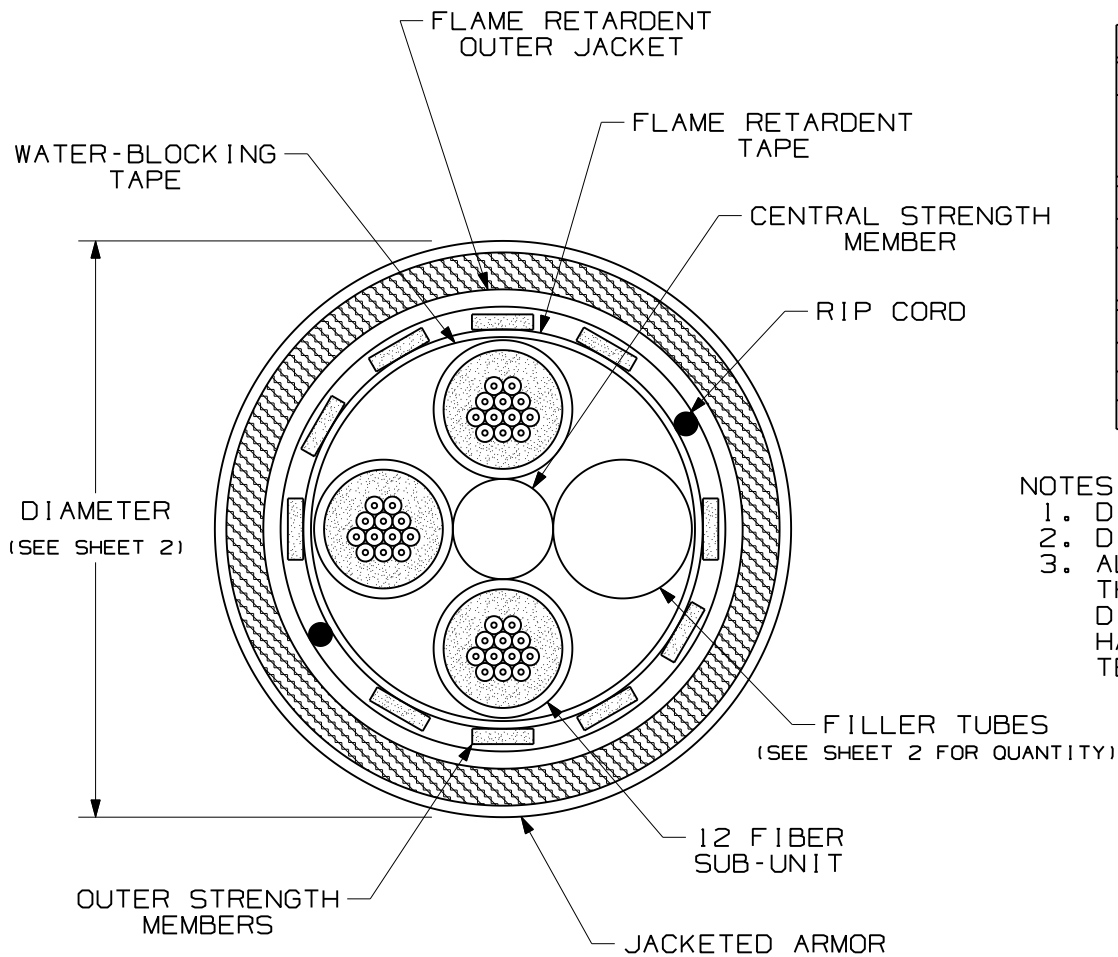


THIS COPY IS PROVIDED ON A RESTRICTED BASIS AND IS NOT TO BE USED IN ANY WAY DETRIMENTAL TO THE INTERESTS OF PANDUIT CORP.



TECHNICAL SPECIFICATIONS		
MAXIMUM LOSS		SINGLEMODE MAXIMUM LOSS
3.5 dB/KM @ 850nm 1.5 dB/KM @ 1300nm		.75 dB/KM @ 1310nm .75 dB/KM @ 1500nm
TENSILE LOAD - RISER RATED		
INSTALLATION		LONG TERM
2700 N (600 lbf)		800 N (180 lbf)
OPERATION	OFCR	OFCP/LSZH
OPERATION	-20° C TO +50° C (-4° F TO +122° F)	0° C TO +50° C (+32° F TO +122° F)
INSTALLATION		
STORAGE	-40° C TO +65° C (-40° F TO +149° F)	

- NOTES:
1. DIAMETER DIMENSION, SHOWN FOR REFERENCE ONLY.
  2. DIMENSIONS IN BRACKETS ( ) ARE ENGLISH.
  3. ALL MATERIALS AND COMPONENTS USED MUST MEET THE MATERIAL RESTRICTIONS OF RoHS (EUROPEAN DIRECTIVE 2002/95/EC ON THE RESTRICTION OF HAZARDOUS SUBSTANCES) AS PROPOSED BY THE RoHS TECHNICAL ADAPTATION COMMITTEE.

REV	DATE	BY	CHK	DESCRIPTION	ECN	R	CUST	SUP	OTH
01	10-27-09	EFK		RELEASED TO PRODUCTION	02055-182				

OPTI-CORE 36 FIBER INDOOR-OUTDOOR ARMORED CABLE WITH (3) 12 FIBER SUB-UNITS  
CUSTOMER DRAWING

**PANDUIT**™  
CORP.  
TINLEY PARK, ILL 60477

ALL DIMENSIONS ARE GIVEN IN INCHES, UNLESS OTHERWISE SPECIFIED.  
DIMENSIONAL TOLERANCES ARE:  
(.X) (.XXX) ± 0.3 (.010)  
(.XX) ± 0.8 (.03) ANGLES

DRAWING FILENAME: M02055BY\_DC\_36/00B  
SCALE: NONE  
PART NO.: FSM\*\*36Y  
FOM\*\*36Y  
DRAWING NO.: 02055-182  
SIZE: A  
SHEET 1 OF 2

THIRD ANGLE PROJECTION

DRAWN BY: EFK  
DATE: 06-21-07  
CHK'D: WMA

REVIEW DRAWING NUMBERS

