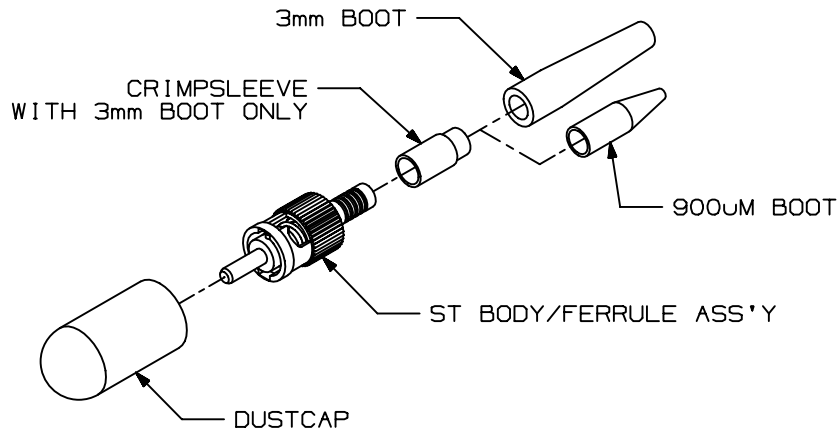


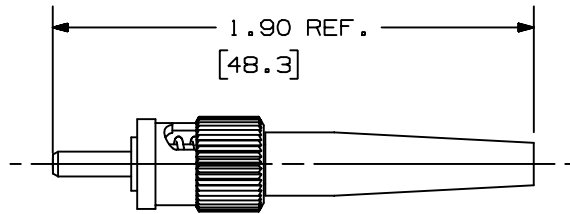
THIS COPY IS PROVIDED ON A RESTRICTED BASIS AND IS NOT TO BE USED IN ANY WAY DETRIMENTAL TO THE INTERESTS OF PANDUIT CORP.



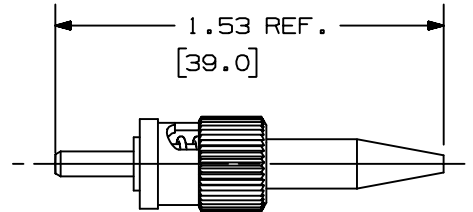
PANDUIT P/N	WEIGHT
FSTSA**	1.00 lb/100 PCS [454.54g/100 PCS

NOTES:

1. SEE CURRENT CATALOG FOR ADDITIONAL PART NUMBER SUFFIXES TO INDICATE COLOR AND/OR PACKAGE QUANTITY.
2. ACCEPTS 9/125µm SINGLEMODE GLASS OPTICAL FIBER CABLE.
3. MATERIALS:
CONNECTOR BODY/HARDWARE: NICKEL-PLATED ZINC
BOOT: THERMOPLASTIC RUBBER
FERRULE: ZIRCONIA (CERAMIC)
4. COMPLIES WITH THE FIBER OPTIC PERFORMANCE REQUIREMENTS AS SPECIFIED BY TIA/EIA-568-B.3
5. COMPATITBLE WITH TIA-EIA-604-2 (FOCIS-2)
6. FERRULE DIAMETER: 2.4985/2.4995mm.
7. DIMENSIONS IN BRACKETS ARE METRIC [mm].



3mm BOOT ST CONNECTOR
(DUSTCAP REMOVED)



900µm BOOT ST CONNECTOR
(DUSTCAP REMOVED)

MODEL FILENAME	M01197BD_RFST-A_00.PRT	SIZE	A
DRAWING FILENAME	M01197BE_DC_00A.PRT		
TITLE	ST SIMPLEX SINGLEMODE CONNECTORS CUSTOMER DRAWING		

<p>PANDUIT™ CORP. TINLEY PARK, ILL 60477</p>	I.I. NUMBER	
	PRODUCT SPEC	
<p>THIRD ANGLE PROJECTION</p>	WORK INST	
	SCALE	NONE
DRAWN BY	EFK	PART NO.
DATE	12-03-01	FSTSA**
CHK'D		DRAWING NO.
MATERIAL		AS NOTED
		01197-07

REV	DATE	BY	CHK	DESCRIPTION	ECN	R	CUST	SUP	OTH
R	12-03-01	EFK		RELEASED TO PRODUCTION	01197-07				