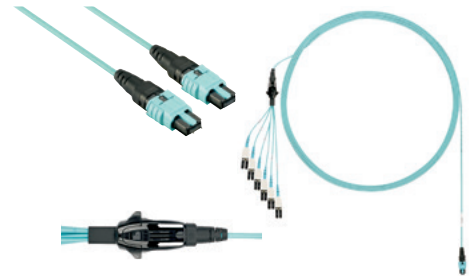


## technical information

PanMPO™ Round Harness Cable Assemblies are pre-terminated 12-fiber cable assemblies. The unique design of the PanMPO™ Connector allows for rapid gender change in the field, in support of standards-compliant cable plant migration from 10G cassette-based systems to 40G MPO connector-based parallel optics cable plant. PanMPO™ Harness Assemblies meet the demands of 10G Ethernet, higher speed 40G Ethernet, and high-speed ANSI Fibre Channel systems, while maintaining compliance to the recommendations of TIA-568-C for both Serial Duplex and Parallel Optics wiring schemes. LC uniboot connectors reduce cable density on the switch by 40% and allow easy change of polarity.



## application

Connect multiple MPO-based infrastructure components to LC-based transceivers, such as LAN switches, servers, patch panels, and zone distribution areas. New cable management transition allows multiple harnesses to attach to each other or be secured to a rack or cabinet with Tak-Ty® Hook and Loop Cable Ties.

## construction

<b>Cable type:</b>	3.0mm round indoor
<b>Cable jacket ratings:</b>	Optical Fiber Nonconductive Plenum (OFNP) Low Smoke Zero Halogen (LSZH)
<b>Fiber types:</b>	Bend insensitive OM3 Bend insensitive OM4 Signature Core OM4+
<b>Connector types end 'A':</b>	PanMPO female PanMPO male
<b>Fiber count:</b>	12 = 12-fiber
<b>Jacket color:</b>	OM3: Aqua OM4: Aqua Sig Core: Aqua
<b>Connector types end 'B':</b>	LC Uniboot (polarity changeable) LC Duplex

## optical properties

<b>Maximum cable attenuation:</b>	Multimode:	3.5dB/km at 850nm, 1.5dB/km at 1300nm
<b>Maximum connector insertion loss:</b>	Standard MPO:	0.50dB
	Optimized MPO:	0.35dB
	Ultra MPO:	0.25dB
	Standard MPO:	0.25dB
	Optimized MPO:	0.15dB
	Ultra MPO:	0.10dB
<b>Minimum connector insertion loss:</b>	Multimode:	26dB minimum

## physical properties

<b>Cable outside diameter (OD):</b>	3.0mm
<b>Minimum bend radius:</b>	30mm
<b>Flex:</b>	100 cycles at 4.9N
<b>Twist:</b>	10 cycles @15N
<b>Cable retention strength:</b>	50N
<b>Connector durability:</b>	500 mating cycles*

## environmental properties

<b>Operating temperature:</b>	0°C to 50°C
<b>Storage and shipping temperature:</b>	-40°C to 65°C
<b>Installation temperature:</b>	0°C to 50°C

## standards

Meets or exceeds ISO/IEC 11801, TIA/EIA-568-C.3, TIA-604-5 (FOCIS-5), TIA/EIA-604-10 (FOCIS-10), TIA/EIA-568-C.1

RoHS compliant

\*With proper cleaning and inspection

# PanMPO™ Round Harness Cable Assemblies

## part number

Example: FZTRP8NUSNF003 = Fiber OM4, 12-fiber, round, plenum rated, PanMPO male to LC uniboot harness with 61cm equal breakout, standard IL, no pulling eye, 3 feet

CHARACTER	1	2	3	4	5	6	7	8	9	10	11	12	13	14	15
EXAMPLE	F	Z	T	R	P	8	N	U	S	S	N	F	0	0	3

### 1 – Fiber Product

F = Fiber

### 2 – Fiber Type

X = OM3

Z = OM4

S = Signature Core

### 3 – Fiber Count

T = 12-fiber

8 = 8-fiber

### 4 – Cable Type

R = Round

### 5 – Jacket Type

L = Low Smoke Zero Halogen (LSZH)

P = Optical Fiber Nonconductive Plenum (OFNP)

### 6 – Connector Type End “A”

7 = PanMPO™ Female

8 = PanMPO™ Male

### 7 – Connector Variant

N = No variant

### 8 – Connector Type End “B”

U = LC Uniboot

L = LC Duplex

### 9 – Connector Variant

D = 1m equal breakout

S = 61cm equal breakout

F = Staggered pair 1 longest breakout

G = Staggered pair 1 shortest breakout

H = Staggered pairs 1 and 2 longest breakouts

J = Staggered pairs 1 and 2 shortest breakouts

### 10 – Construction/Performance

S = Standard IL-Straight Thru

O = Optimized performance/Standard polarity

N = Ultra IL (SigCore)

### 11 – Other

N = No variant

### 12 – Unit of Length

M = Meters

F = Feet

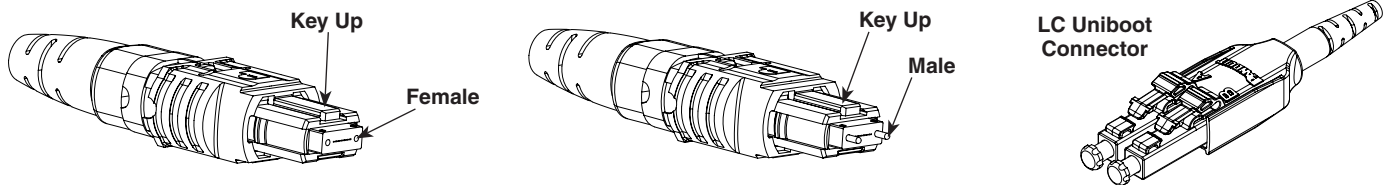
### 13, 14, 15 – Length

Meters: 001 to 030

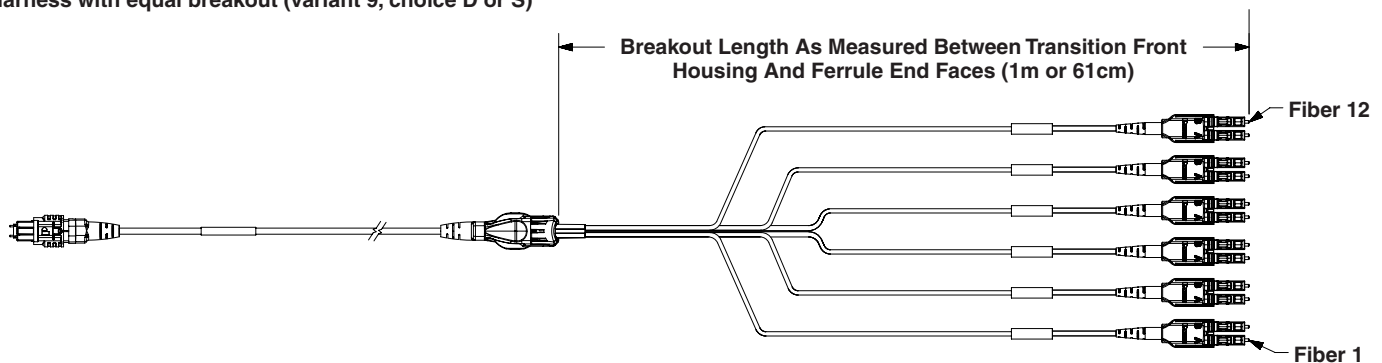
Feet: 003 to 100

For additional options, contact Panduit Customer Service at 800-777-3300.

## harness assembly detail



### Harness with equal breakout (variant 9, choice D or S)

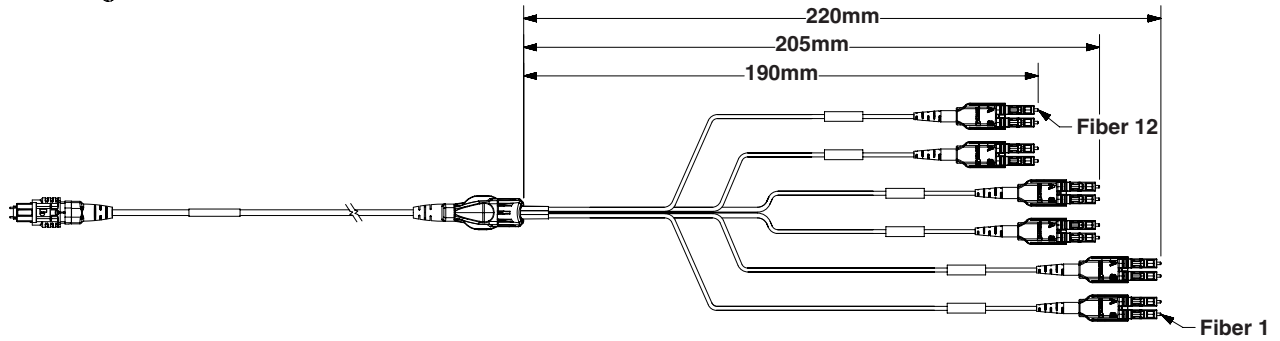
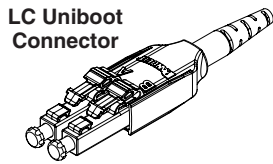
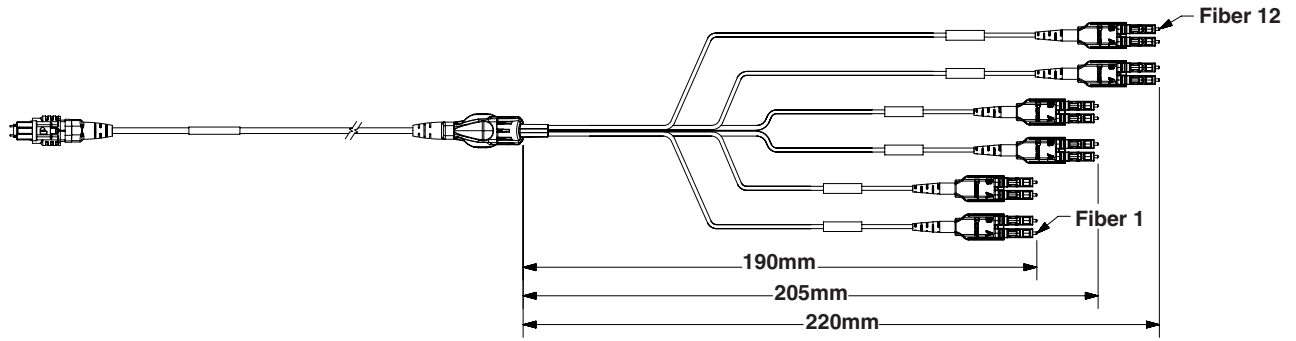


Note: 8F version is numbers 1 – 8 with fibers 9, 10, 11, and 12 dark.

# PanMPO™ Round Harness Cable Assemblies

## staggered harness assembly detail

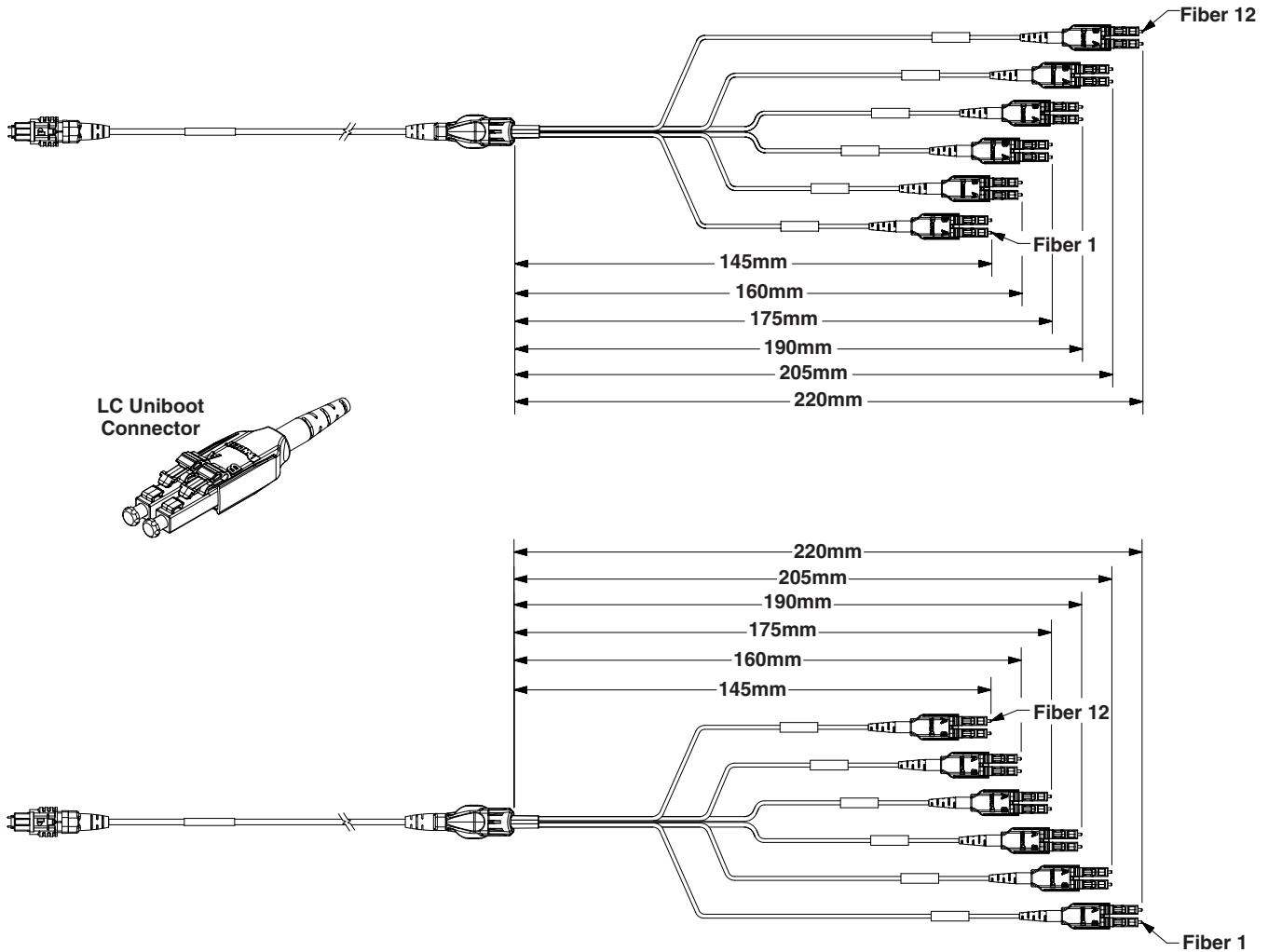
Harness with pairs 1 and 2 shortest or longest (variant 9, choice J or H)



# PanMPO™ Round Harness Cable Assemblies

## staggered harness assembly detail

Harness with pair 1 shortest or longest (variant 9, choice G or F)



### WORLDWIDE SUBSIDIARIES AND SALES OFFICES

PANDUIT CANADA  
Markham, Ontario  
cs-cdn@panduit.com  
Phone: 800.777.3300

PANDUIT EUROPE LTD.  
London, UK  
cs-emea@panduit.com  
Phone: 44.20.8601.7200

PANDUIT SINGAPORE PTE. LTD.  
Republic of Singapore  
cs-ap@panduit.com  
Phone: 65.6305.7575

PANDUIT JAPAN  
Tokyo, Japan  
cs-japan@panduit.com  
Phone: 81.3.6863.6000

PANDUIT LATIN AMERICA  
Guadalajara, Mexico  
cs-la@panduit.com  
Phone: 52.33.3777.6000

PANDUIT AUSTRALIA PTY. LTD.  
Victoria, Australia  
cs-aus@panduit.com  
Phone: 61.3.9794.9020

For a copy of Panduit product warranties, log on to [www.panduit.com/warranty](http://www.panduit.com/warranty)

For more information

Visit us at [www.panduit.com](http://www.panduit.com)

Contact Customer Service by email: [cs@panduit.com](mailto:cs@panduit.com)  
or by phone: 800.777.3300

**PANDUIT**®

©2016 Panduit Corp.  
ALL RIGHTS RESERVED.  
FBSP81--WW-ENG  
2016-09-15