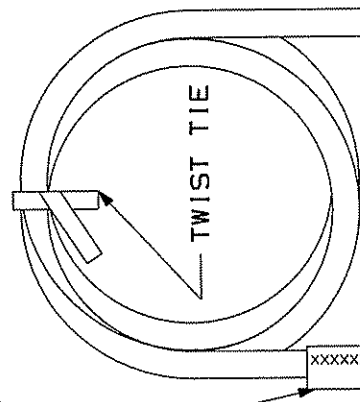


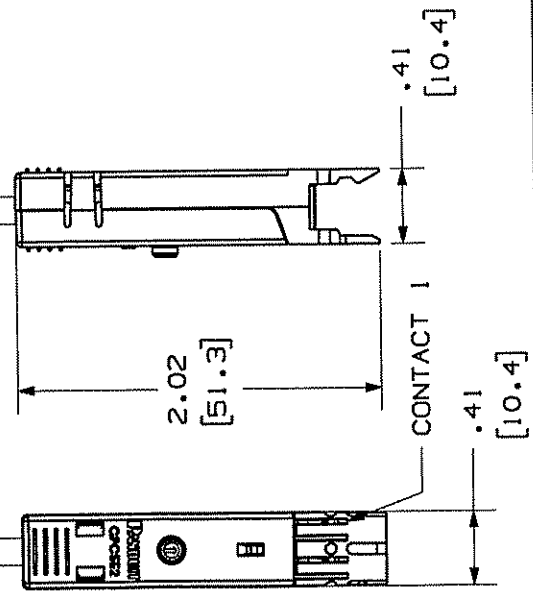
THIS COPY IS PROVIDED ON A RESTRICTED BASIS AND IS NOT TO BE USED IN ANY WAY DETRIMENTAL TO THE INTERESTS OF PANDUIT CORP.

IDENTIFICATION LABEL

CONTACT	CABLE WIRE COLOR
1	WHITE/BLUE
2	BLUE
3	WHITE/ORANGE
4	ORANGE



PANDUIT P/N	MIN. CABLE LENGTH	WEIGHT
GPPC21G3Y	3 FT.	.998 LB/10 PCS (452.69 g/10 PCS)
GPPC21G5Y	5 FT.	1.505 LB/10 PCS (682.66 g/10 PCS)
GPPC21G7Y	7 FT.	1.856 LB/10 PCS (841.87 g/10 PCS)
GPPC21G9Y	9 FT.	2.125 LB/10 PCS (963.88 g/10 PCS)
GPPC21G14Y	14 FT.	3.029 LB/10 PCS (1373.93 g/10 PCS)
GPPC21G20Y	20 FT.	3.866 LB/10 PCS (1753.59 g/10 PCS)
GPPC21G1MY	1 METER	1.091 LB/10 PCS (495.07 g/10 PCS)
GPPC21G2MY	2 METER	2.183 LB/10 PCS (990.14 g/10 PCS)
GPPC21G3MY	3 METER	3.274 LB/10 PCS (1485.20 g/10 PCS)
GPPC21G5MY	5 METER	5.457 LB/10 PCS (2475.34 g/10 PCS)



MODEL FILENAME		M02479LA_DC288_00B.PRT		SIZE	A
DRAWING FILENAME		M02479LA_DC288_00B.PRT			
TITLE		2 PAIR GIGA-PUNCH PATCHCORD GPPC21GXXY CUSTOMER DRAWING			
PANDUIT CORP.™ TINLEY PARK, ILL. 60477		I.I. NUMBER		PRODUCT SPEC	
ALL DIMENSIONS UNLESS OTHERWISE SPECIFIED, DIMENSIONAL TOLERANCES ARE: (.XX) ±.031(.8) ANGLES ±		WORK INSTRUCTION		SCALE NONE	
DRAWN BY TA		REVIEW DRAWING NUMBERS		PART NO. SEE CHART	
DATE 3-18-06		DATE 3-18-06		DRAWING NO. 02479-288	
REV	DATE	BY	CHK	DESCRIPTION	
R	3-18-06	TA	MK	RELEASED TO PRODUCTION	
ECN	R	CUST	SUP	OTH	