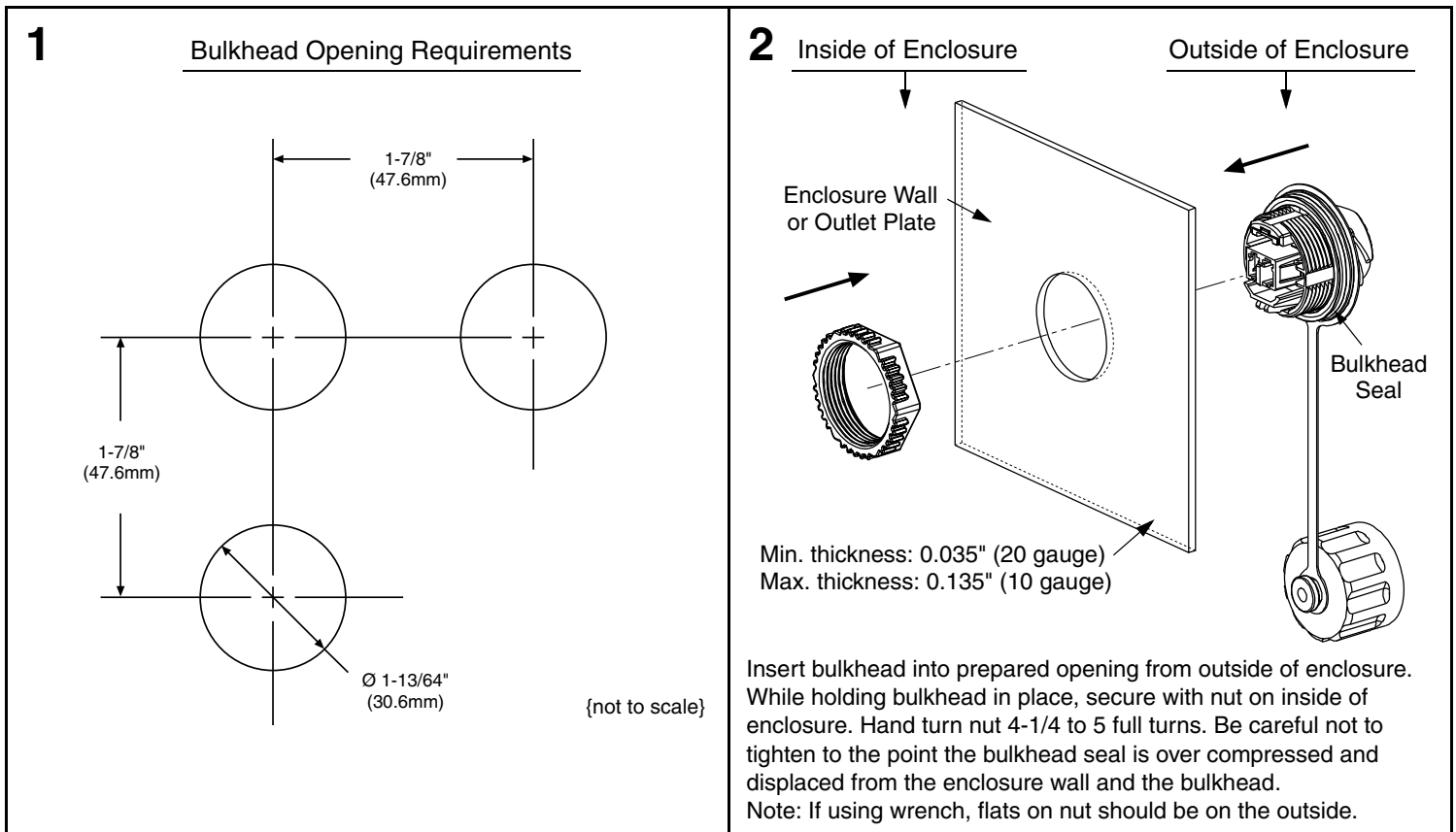


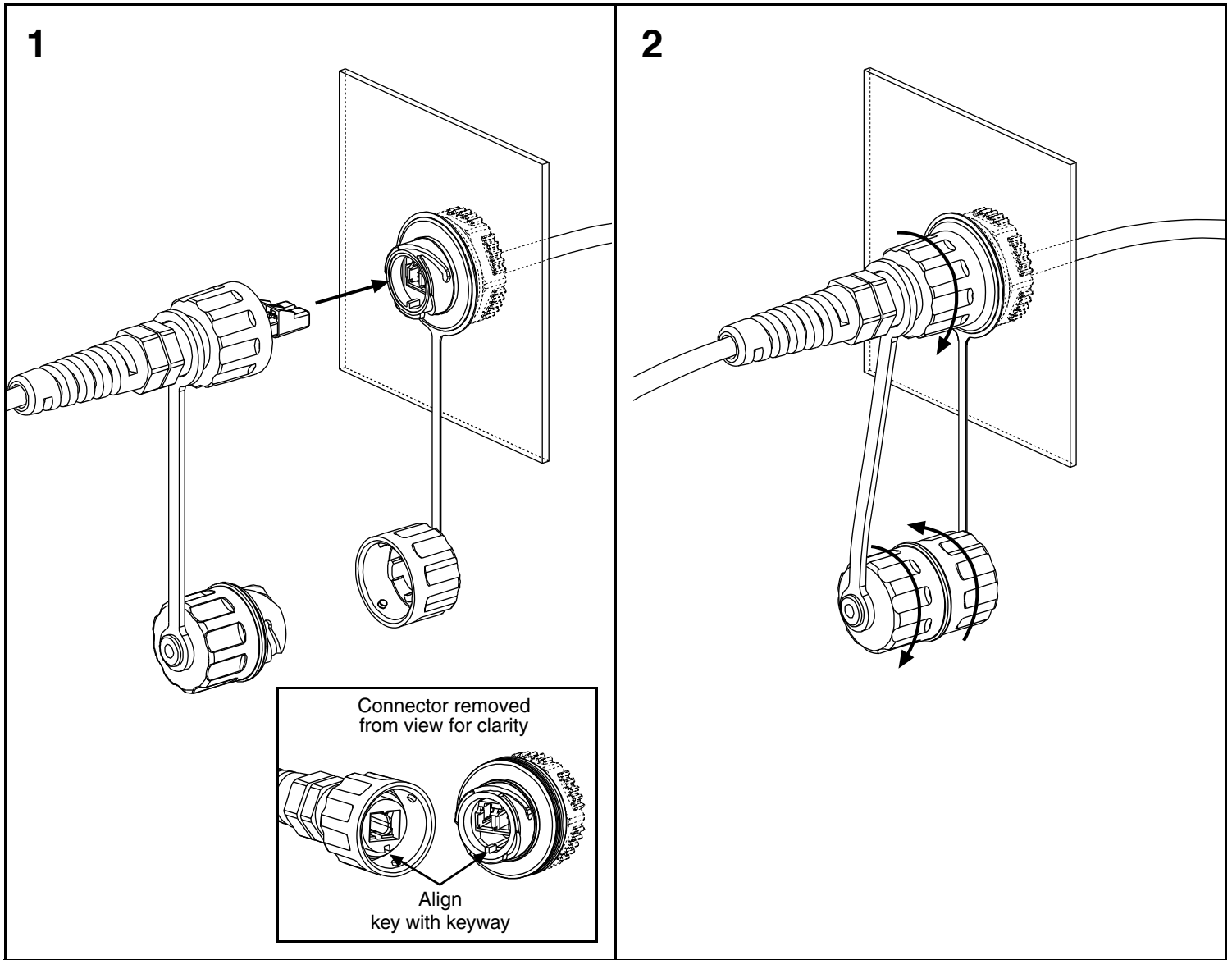
Installation of Industrial Bulkhead

Note: Remove dust caps on bulkhead and plug sides prior to installation.



Installation of Industrial Patch Cord to Industrial Bulkhead

Note: Bulkhead combination must be used on a flat surface of a NEMA Type 12 enclosure to maintain rating.



Note: Clean plug connector end faces and red plug seal with each connector mating cycle.

For Instructions in Local Languages
and Technical Support:

www.panduit.com/resources/install_maintain.asp

PANDUIT

www.panduit.com

E-mail:
techsupport@panduit.com

Phone:
866-405-6654