

Current refinements (click to remove)

[Search Tips](#) 
 Region **USA** Product Family **Code Conductor, One-Hole, Standard Barrel with Window Lug** Text Search: **'LCA1-14-E'**
Your search criteria matched only one product, shown below.

For Use with Stranded Copper Conductors

- Color-coded barrels marked with *PANDUIT* and specified competitor die index numbers for proper crimp die selection
- Inspection window to visually assure full conductor insertion
- Tin-plated to inhibit corrosion
- UL Listed and CSA Certified to 35 KV** and temperature rated to 90°C when crimped with *PANDUIT* and specified competitor crimping tools and dies
- UL Listed and CSA Certified for wide wire range-taking capability when crimped with *PANDUIT*® *Uni-Die*™ Dieless Crimping Tools†
- **Tested by Telcordia – meets NEBS Level 3**
- American Bureau of Shipping Approved

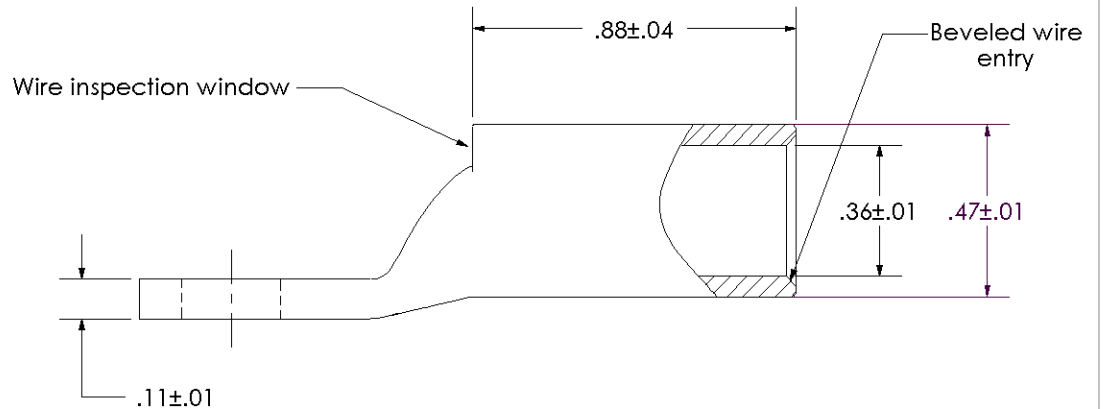
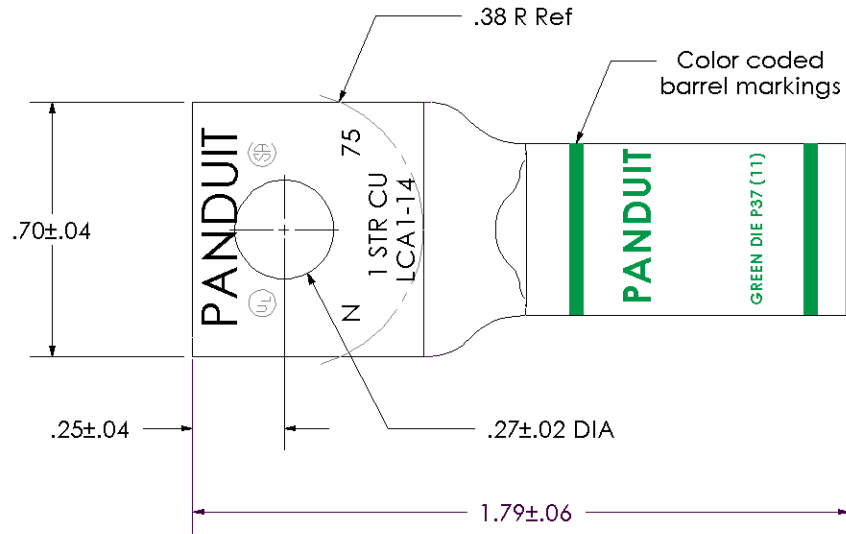

Related Products

- [Contour Crimp™ Control...](#)
- [Die Type, Manual, Crimping Tool](#)
- [CD-720 Crimping Dies](#)
- [Die Type, Manual Hydraulic, 14 Ton,...](#)
- [Die Type, Remote Hydraulic, 14 Ton,...](#)
- [Die Type, Battery Powered Hydraulic...](#)
- [More...](#)

Part Number:	LCA1-14-E
RoHS Compliancy Status:	Compliant
Part Description:	One-hole, standard barrel with window lug, #1 AWG wire, 1/4" stud hole.
Product Type:	Compression Connectors - Lugs
CSA Certified:	Yes
UL Listed:	Yes
Length (In.):	1.79
Length (mm):	45.5
Copper Conductor Size:	#1 AWG
Stud Hole Size (In.):	1/4
Tongue Width (In.):	.70
Barrel Length (In.):	.88
Angle:	Straight
Clearance:	.38
Figure No.:	1
Mechanical:	null
Panduit Color Code:	Green
Panduit Die Index No.:	P37
Tongue Thickness:	.11
Tongue Type:	Standard
Tongue Width (mm):	17.8
Wire Range (mm²):	50
Wire Strip Length (In.):	15/16
Min. Order UOM:	PC
Min. Order Qty.:	1
Burndy Die Index No.:	11
T&B Die Index No.:	37

THIS COPY IS PROVIDED ON A RESTRICTED BASIS AND IS NOT TO BE USED IN ANY WAY DETRIMENTAL TO THE INTERESTS OF PANDUIT CORP.

Material	High Conductivity Seamless Copper Tube
Plating	Electro-Tin
Wire Size	1 AWG
Wire Type	Stranded Copper; Class B: Compact, Compressed or Concentric, Class C: Concentric
Wire Strip Length	15/16 in.
Stud Size	1/4 in.
UL Listed Wire Connector	Yes, for applications up to 35kv. Consult cable manufacturer for voltage stress relief instructions with applications greater than 2000 volts.
UL Temperature Rating	90° C
C.S.A Certified Wire Connector	Yes
Panduit Color Code on Barrel	GREEN
Panduit Die Index No. on Barrel	P37
Alternate Industry Die Index No. () on Barrel	(11)



00	9/02	SAB	DRL	RELEASED	10318
REV	DATE	BY	CHK	DESCRIPTION	ECN

PANDUIT CORP. TINLEY PARK, ILLINOIS

LCA1-14-E
Copper Lug - One-Hole, Standard Barrel

SCALE N/A DRAWING NO / CAD FILE LCA1-14-CUST