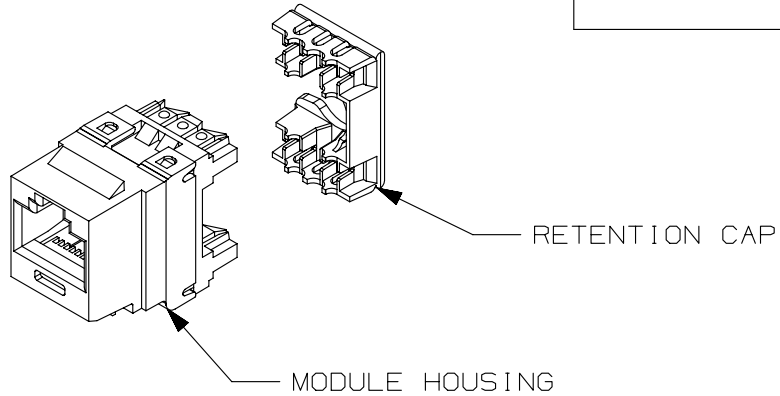


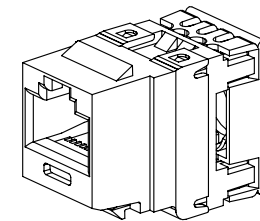
THIS COPY IS PROVIDED ON A RESTRICTED BASIS AND IS NOT TO BE USED IN ANY WAY DETRIMENTAL TO THE INTERESTS OF PANDUIT CORP.

PANDUIT PART#	DESCRIPTION	WEIGHT
NK688M**	8 POSITION, 8 WIRE UNIVERSAL MODULE. MODULE IS COLOR CODED FOR T568A AND T568B WIRING SCHEMES.	1.495 LB/100 PCS (678g/100 PCS)

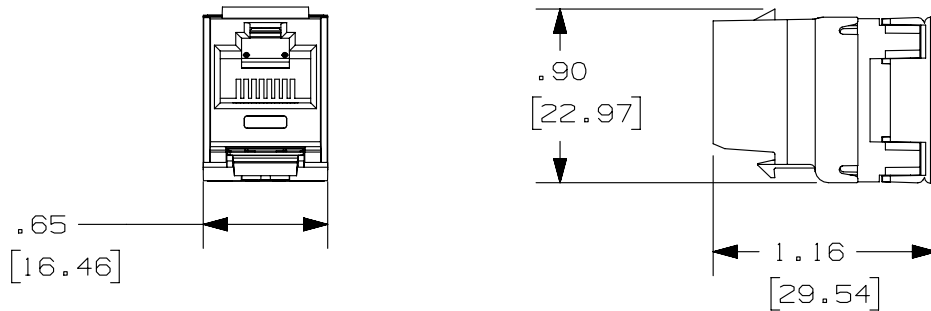


NOTES:

- SEE CURRENT CATALOG FOR ADDITIONAL PART NUMBER SUFFIXES TO INDICATE COLOR AND OR PACKAGE QUANTITY.
- MATERIAL:  
MODULE - ABS/PC  
RETENTION CAP - ABS
- ALL CATEGORY 6, 8 POSITION, 8 WIRE CONNECTOR MODULES ARE UNIVERSAL IN DESIGN. THEY ACCEPT SIX AND EIGHT POSITION MODULAR PLUGS WITHOUT DAMAGE.
- DIMENSIONS IN PARENTHESES ARE IN METRIC.



ACTUAL SIZE



PART NUMBER		NK688M**	
TITLE			
NETKEY CATEGORY 6 PUNCHDOWN JACK MODULE		CUSTOMER DRAWING	
ITEM REVISION NAME		M02341CA/06	<b>PANDUIT</b>
DATASET FILE NAME		M02341CA_DC07/06B	
UNLESS OTHERWISE SPECIFIED, DIMENSIONAL TOLERANCES ARE: IN [ mm ]		MATERIAL:	
.x ± .xxx ± .010 [ .3 ]		SEE NOTE 2	
.xx ± .03 [ .8 ]		DRAWING NUMBER:	
ANGLES ±		02341-07	
THIRD ANGLE PROJECTION		SHT 1 OF 1	
DRAWN BY	DATE	CHK	SCALE
MDJR	8-25-05	PBC	NONE
REV	DATE	BY	CHK
03	5-13-14	MDJR	REFR
APR	DESCRIPTION		ECN
JCK	ALL PREVIOUS REVISIONS HAVE BEEN OMITTED FOR CLARITY. A. UPDATED TITLE BLOCK.		02341-07

D10100DA/14

2

1

2

1