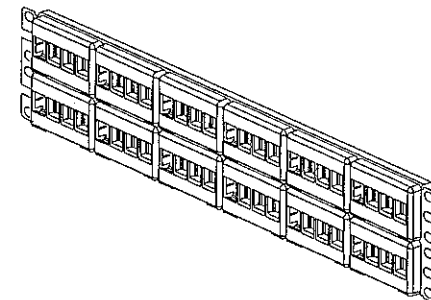
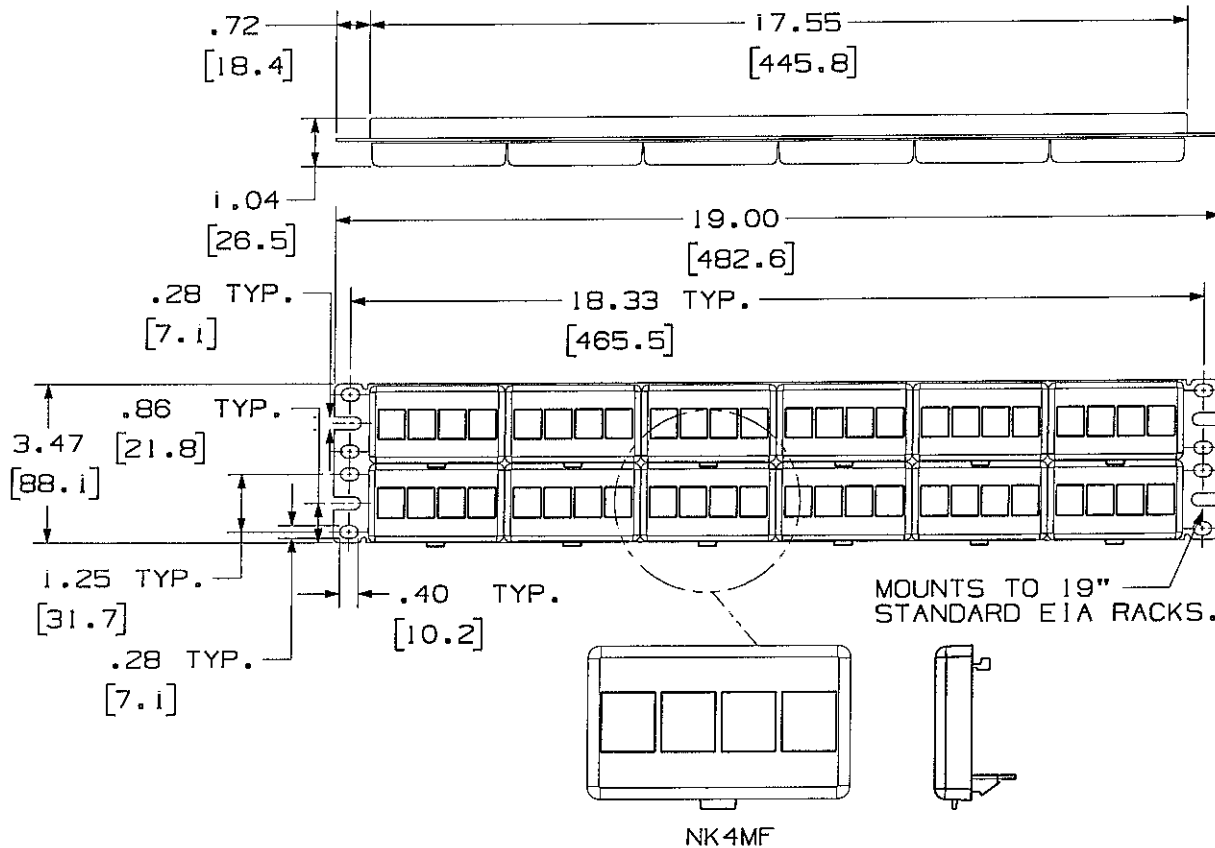


THIS COPY IS PROVIDED ON A RESTRICTED BASIS AND IS NOT TO BE USED IN ANY WAY DETRIMENTAL TO THE INTERESTS OF PANDUIT CORP.

| PANDUIT PART NO. | WEIGHT                            |
|------------------|-----------------------------------|
| NKFP48Y          | 8.75 LB/10 PCS<br>(3970 g/10 PCS) |

NOTES:

- SEE CURRENT CATALOG FOR VARIOUS APPLICATIONS WITH THIS WIRING SYSTEM.
- PATCH PANEL IS DESIGNED FOR MOUNTING TO 19" STANDARD EIA RACKS.
- PATCH PANELS ACCEPT ALL NETKEY MODULES.
- DIMENSIONS IN PARENTHESES ARE METRIC.
- PART INCLUDES:
  - (1) -24 PORT STAMPING
  - (12) -FURNITURE FACEPLATE (ASSEMBLED TO STAMPING)
  - (1) -SCREW KIT (INCLUDES FOUR #12-24 SCREWS)
  - (1) -SCREW KIT (INCLUDES FOUR M6 SCREWS)



NETWORK SYSTEMS

MAY 25 2006

ENGINEERING DEPT

|                  |                       |      |   |
|------------------|-----------------------|------|---|
| DRAWING FILENAME | M02479DL_DC92_00A.PRT | SIZE | A |
|------------------|-----------------------|------|---|

NETKEY 48 PORT MODULAR FACEPLATE  
PATCH PANEL CUSTOMER DRAWING



I.I. NUMBER N/A

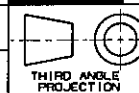
PRODUCT SPEC N/A

WORK INSTRUCTION N/A

SCALE NONE

PART NO. NKFP48Y

DRAWING NO. 02479-092



ALL DIMENSIONS ARE GIVEN IN INCHES, UNLESS OTHERWISE SPECIFIED.  
DIMENSIONAL TOLERANCES ARE:  
(.X) ±.03 (.XXX) ±.005  
(.XX) ±.01 ANGLES ± 1°

DRAWN BY JsP

MATERIAL:

DATE 3-11-06

PANEL: C.R.S.  
FACEAPLTES: ABS

CHK'D

| REV | DATE    | BY  | CHK | DESCRIPTION            | ECN       | R | CUST | SUP | OTH |
|-----|---------|-----|-----|------------------------|-----------|---|------|-----|-----|
| R   | 3-11-06 | JsP |     | RELEASED TO PRODUCTION | 02479-092 |   |      |     |     |