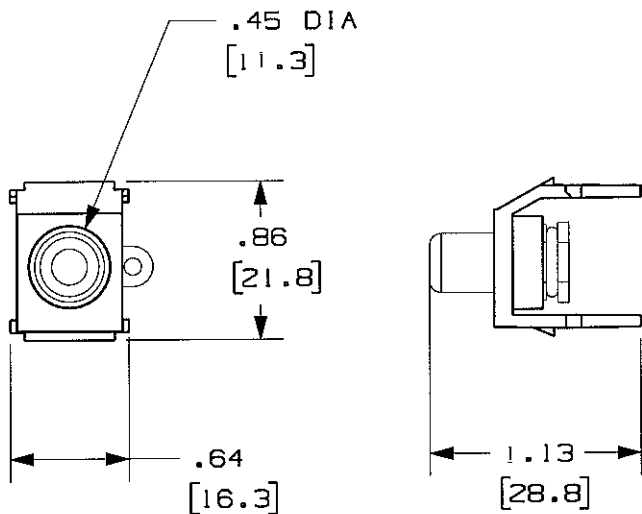


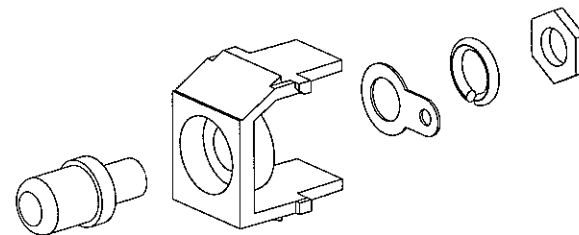
THIS COPY IS PROVIDED ON A RESTRICTED BASIS AND IS NOT TO BE USED IN ANY WAY DETRIMENTAL TO THE INTERESTS OF PANDUIT CORP.



| PANDUIT P/N | WEIGHT                         |
|-------------|--------------------------------|
| NKRSMB**Y   | .16 LB/10 PCS<br>(75 g/10 PCS) |
| NKRSMR**Y   |                                |
| NKRSMW**Y   |                                |
| NKRSMY**Y   |                                |

NOTES:

- SEE CURRENT CATALOG FOR ADDITIONAL PART SUFFIXES TO INDICATE COLOR AND OR PACKAGE QUANTITY.
- DIMENSIONS IN [ ] ARE IN METRIC.
- PART INCLUDES:
  - MODULE BASE
  - RCA CONNECTOR
  - GROUNDING RING
  - LOCK WASHER
  - HEX NUT



|                  |                        |      |   |
|------------------|------------------------|------|---|
| MODEL FILENAME   | M00661ZF_RCA_02.PRT    | SIZE | A |
| DRAWING FILENAME | M02479PD_DC367_00A.PRT |      |   |

NETKEY RCA SOLDER TYPE  
MODULE CUSTOMER DRAWING

|   |   |  |
|---|---|--|
| <p>PANDUIT®<br/>CORP.<br/>TINLEY PARK, IL 60477</p>                 | 1.1. NUMBER   | N/A  |
|   | PRODUCT SPEC  | N/A  |
|   | WORK INSTRUCTION  | N/A  |
|   | SCALE   | NONE                                       |
| <p>THIRD ANGLE<br/>PROJECTION</p>                                   | <p>ALL DIMENSIONS ARE GIVEN IN INCHES,<br/>UNLESS OTHERWISE SPECIFIED.</p> <p>DIMENSIONAL TOLERANCES ARE:<br/>(.X) ±.03 (.XXX) ±.005<br/>(.XX) ±.01 ANGLES ± 1°</p> |  |
| <p>DRAWN BY<br/>JsP</p> <p>DATE<br/>8-9-06</p> <p>CHK'D<br/>MAD</p> | MATERIAL:   | ABS  |
|   | PART NO.  | NKRSMB**Y, NKRSR**Y<br>NKRSMW**Y, NKRSY**Y |
|   | DRAWING NO.   | 02479-367                                  |

| REV | DATE   | BY  | CHK | DESCRIPTION            | ECN       | R   | CUST | SUP | OTH |
|-----|--------|-----|-----|------------------------|-----------|-----|------|-----|-----|
| R   | 8-9-06 | JsP | MAD | RELEASED TO PRODUCTION | 02479-367 | MAD | MAD  |     |     |