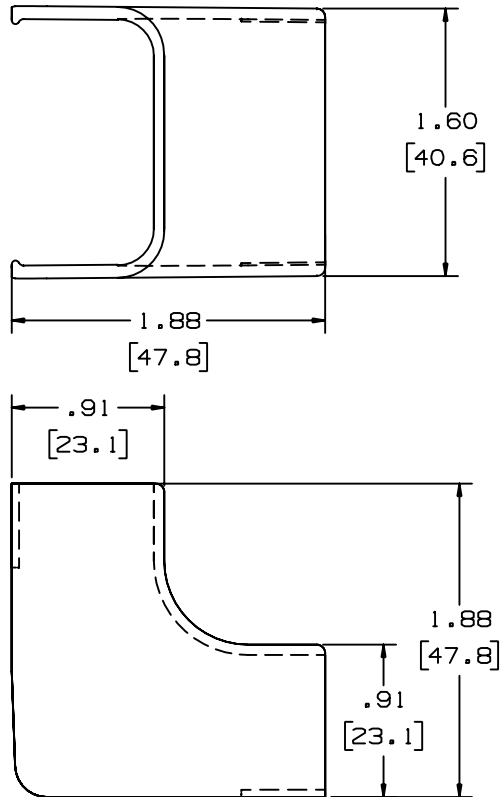


THIS COPY IS PROVIDED ON A RESTRICTED BASIS AND IS NOT TO BE USED IN ANY WAY DETRIMENTAL TO THE INTERESTS OF PANDUIT CORP.

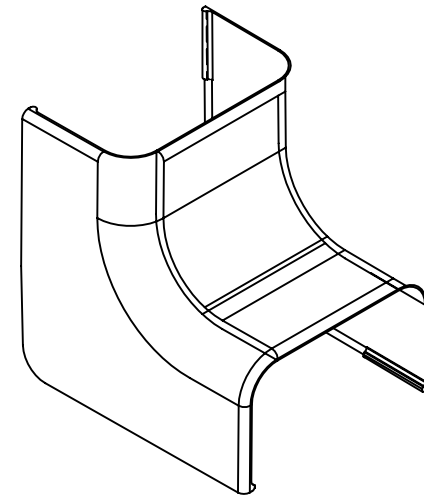


PANDUIT P/N	WEIGHT
ICF10	1.94 LB/ 100PCS. (880g/ 100PCS.)



NOTES:

1. SEE CURRENT CATALOG FOR ADDITIONAL PART SUFFIXES TO INDICATE COLOR AND OR PACKAGE QUANTITY.
2. DIMENSIONS IN PARENTHESIS ARE IN METRIC.



CAD FILENAME/LAYERS D34116BA_DC_ICF10_01C.PRT

REV	DATE	BY	CHK	DESCRIPTION	ECN	R	CUST	SUP
6	07-02-02	JHNU	RMHI	F. REVISED MATERIAL IN DRAWING TITLE BLOCK.	17774	RGRO	RGRO	
5	08-30-00	JHNU	HIW	E. REVISED AND REDRAWN.	17774	HIW	HIW	
4	09-30-91	DW	CF	D. REV'D NOTE AND REMOVED COLOR FROM DWG.	17774	CF	WJB/CF	
3	02-28-91	DW	CF	C. REV'D COLORS: OMIT BEIGE, LIGHT IVORY, AND LIGHT GREY. ADDED INT. WHITE AND INT. GREY	17774	CF	WJB	
2	12-02-87	LDB	WJB	B. ADDED P/N ICF10E1 AND ICF10L1.	17774	WJB	WJB	
1	10-01-84	CEKI	HMP	A. REVISED MAT'L.	17774	HMP	AJC	
R	11-04-82	SS	HMP	DRAWING RELEASED	17774	HMP	JKR	

UNLESS OTHERWISE SPECIFIED, DIMENSIONAL TOLERANCES ARE: (.X) ± (.XXX) ± (.XX) ±.03(.8) ANGLES ±		UNLESS OTHERWISE SPECIFIED, ALL DIMENSIONS ARE GIVEN IN INCHES, THIRD ANGLE PROJECTION.
DRAWN BY SARGIS	MAT'L: ABS	SCALE FULL
DATE 11-03-82		DRAWING NO. SS-17774
CHK'D JVL		DWG SIZE A

PANDUIT CORP. TINLEY PARK, ILLINOIS
INSIDE CORNER FITTING (ICF10)
CUSTOMER DRAWING