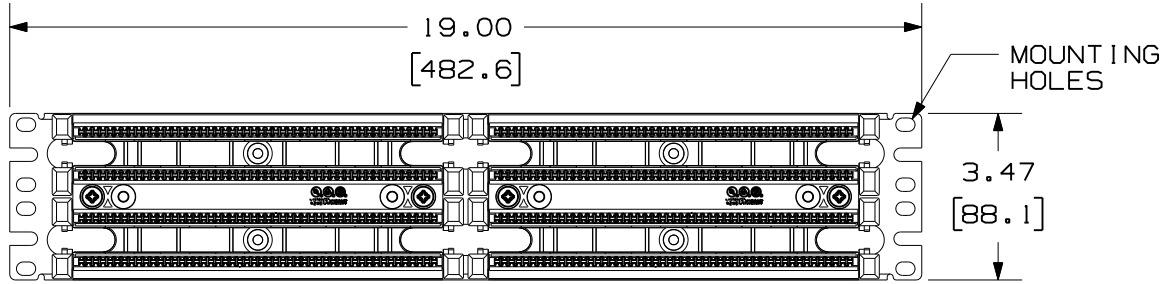
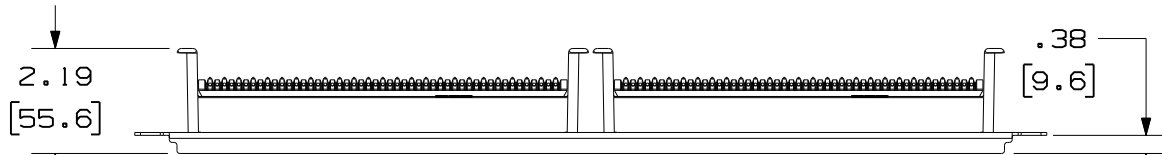


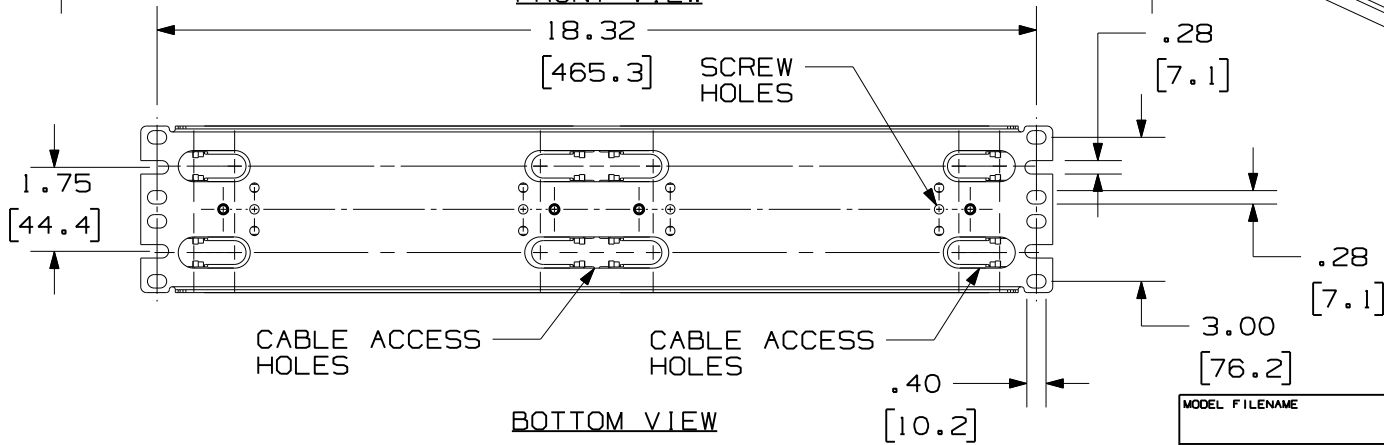
THIS COPY IS PROVIDED ON A RESTRICTED BASIS AND IS NOT TO BE USED IN ANY WAY DETRIMENTAL TO THE INTERESTS OF PANDUIT CORP.



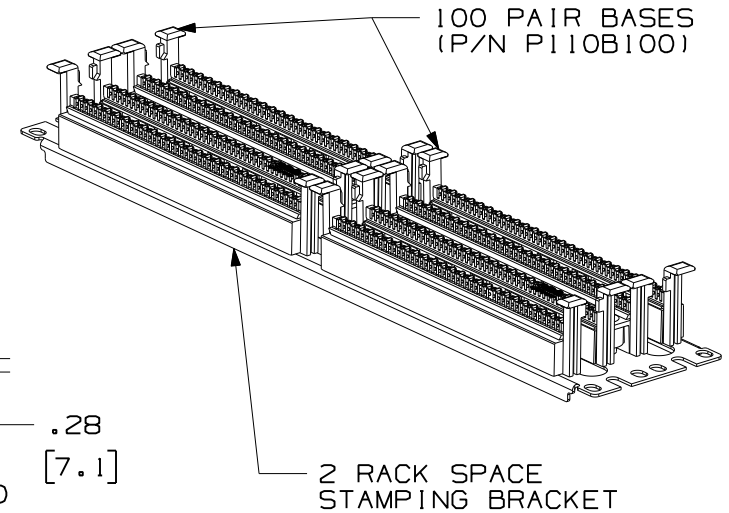
TOP VIEW



FRONT VIEW



BOTTOM VIEW



PANDUIT PART NO.	WEIGHT
P110B1004R2Y	2.59 LB/ea (1177.3 g/ea)
P110B1005R2Y	2.59 LB/ea (1177.3 g/ea)

MODEL FILENAME	D35735AC_48ASSY_04	SIZE	A
DRAWING FILENAME	M02479NF_DC345_00B.PRT		

TITLE
110 RACK MOUNTABLE BASE WITH
CONNECTOR KIT CUSTOMER DRAWING

<p>PANDUITTM CORP. TINLEY PARK, ILL 60477</p>	I.I. NUMBER
	PRODUCT SPEC
<p>THIRD ANGLE PROJECTION</p>	WORK INSTRUCTION
	SCALE NONE
DRAWN BY NER	REVIEW DRAWING NUMBERS
DATE 3-25-06	MAT'L 110 BASES (POLYCARBONATE) BRACKET (C.R.S. 16 GAUGE)
CHK'D WJC	PART NO. P110B100*****Y
	DRAWING NO. 02479-345 SHT. 1 OF 2

REV	DATE	BY	CHK	DESCRIPTION	ECN	R	CUST	SUP	OTH
I	7-12-07	BJN	WFM	A. UPDATED QTY'S IN 110 WIRING BLOCK KIT	02479-345		REGA		
R	3-25-06	NER	WJC	RELEASED TO PRODUCTION	02479-345		RMD		


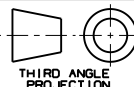
THIS COPY IS PROVIDED ON A RESTRICTED BASIS AND IS NOT TO BE USED IN ANY WAY DETRIMENTAL TO THE INTERESTS OF PANDUIT CORP.

NOTES:

1. SEE CURRENT CATALOG FOR ADDITIONAL PART NUMBER SUFFIXES TO INDICATE PACKAGE QUANTITY.
2. STAMPING ASSEMBLY IS DESIGNED FOR RACK MOUNT APPLICATIONS.
3. 110 BASES ARE PRE-ASSEMBLED TO BRACKET. (4) #12 MOUNTING SCREWS AND (4) METRIC M6x1x15MM SCREWS ARE ALSO PROVIDED.
4. A 110 WIRING BLOCK KIT IS ALSO INCLUDED WITH EACH ASSEMBLY (SEE CHART).
5. DIMENSIONS IN PARENTHESES ARE IN METRIC.

110 WIRING BLOCK KIT				
	CONNECTING BLOCK 4 PAIR	CONNECTING BLOCK 5 PAIR	LABEL HOLDER	LABEL
P110B1004R2Y	40	8	4	4
P110B1005R2Y	-	40	4	4

A

MODEL FILENAME D35735AC_48ASSY_04		SIZE A
DRAWING FILENAME M02479NF_DC345_00B.PRT		
TITLE 110 RACK MOUNTABLE BASE WITH CONNECTOR KIT CUSTOMER DRAWING		
 PANDUIT ™ CORP. TINLEY PARK, ILL 60477		I.I. NUMBER
 THIRD ANGLE PROJECTION		PRODUCT SPEC
ALL DIMENSIONS ARE GIVEN IN INCHES, UNLESS OTHERWISE SPECIFIED. DIMENSIONAL TOLERANCES ARE: (.X) ± (.XXX) ± (.XX) ± ANGLES ±		WORK INSTRUCTION
DRAWN BY NER		SCALE NONE
DATE 3-25-06		PART NO. P110B100*****Y
CHK'D WJC		DRAWING NO. 02479-345 SHT. 2 OF 2

1	7-12-07	BJN	WFM	FOR REVISION HISTORY SEE SHEET 1	02479-345		REGA		
REV	DATE	BY	CHK	DESCRIPTION	ECN	R	CUST	SUP	OTH