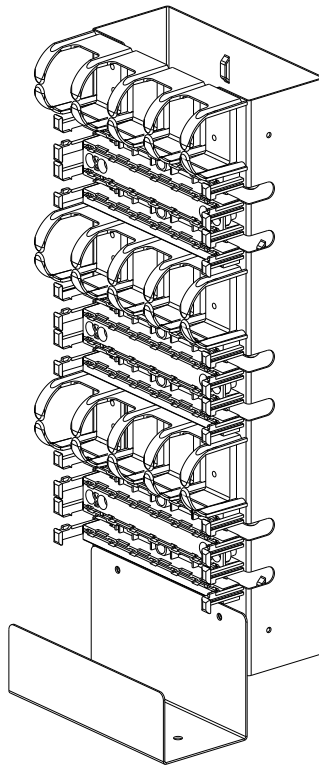
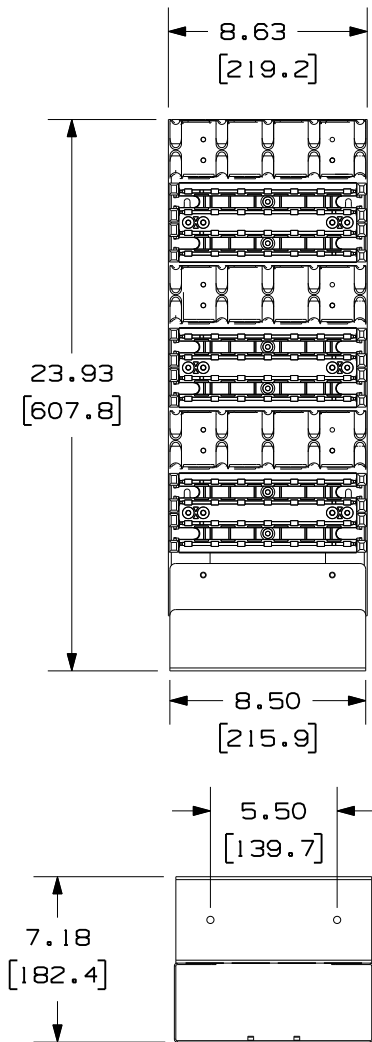


THIS COPY IS PROVIDED ON A RESTRICTED BASIS AND IS NOT TO BE USED IN ANY WAY DETRIMENTAL TO THE INTERESTS OF PANDUIT CORP.



**A** TABLE 1

PANDUIT PART NO.	WEIGHT
P110KT3004Y	9.95 LB/ea 4522.73g/ea
P110KT3005Y	9.95 LB/ea 4522.73g/ea

NOTES:

- SEE CURRENT CATALOG FOR ADDITIONAL PART NUMBER SUFFIXES TO INDICATE PACKAGE QUANTITY.
- 300 PAIR 110 TOWER ASSEMBLY IS DESIGNED FOR WALL MOUNT APPLICATIONS, PROVIDES VERTICAL CABLE MANAGEMENT, AND SUPPLIED JUMPER TROUGHS PROVIDE HORIZONTAL CABLE MANAGEMENT.
- ASSEMBLY COMES WITH FASTENER KIT WHICH INCLUDES THE FOLLOWING: (2) #12 X 1/2" SHEET METAL SCREWS, (2) #12 LOCK WASHERS, (1) 1/4-20 X 3/4 MACHINE SCREW, (1) 1/4-20 HEX NUT, (2) 1/4" LOCK WASHERS.
- ALSO INCLUDED WITH TOWER IS A SCREW KIT USED TO MOUNT THE JUMPER TROUGHS AND BASES.
- SEE CHART FOR NUMBER OF CONNECTING BLOCKS INCLUDED FOR EACH PART NUMBER.
- DIMENSIONS IN PARENTHESES ARE IN METRIC.

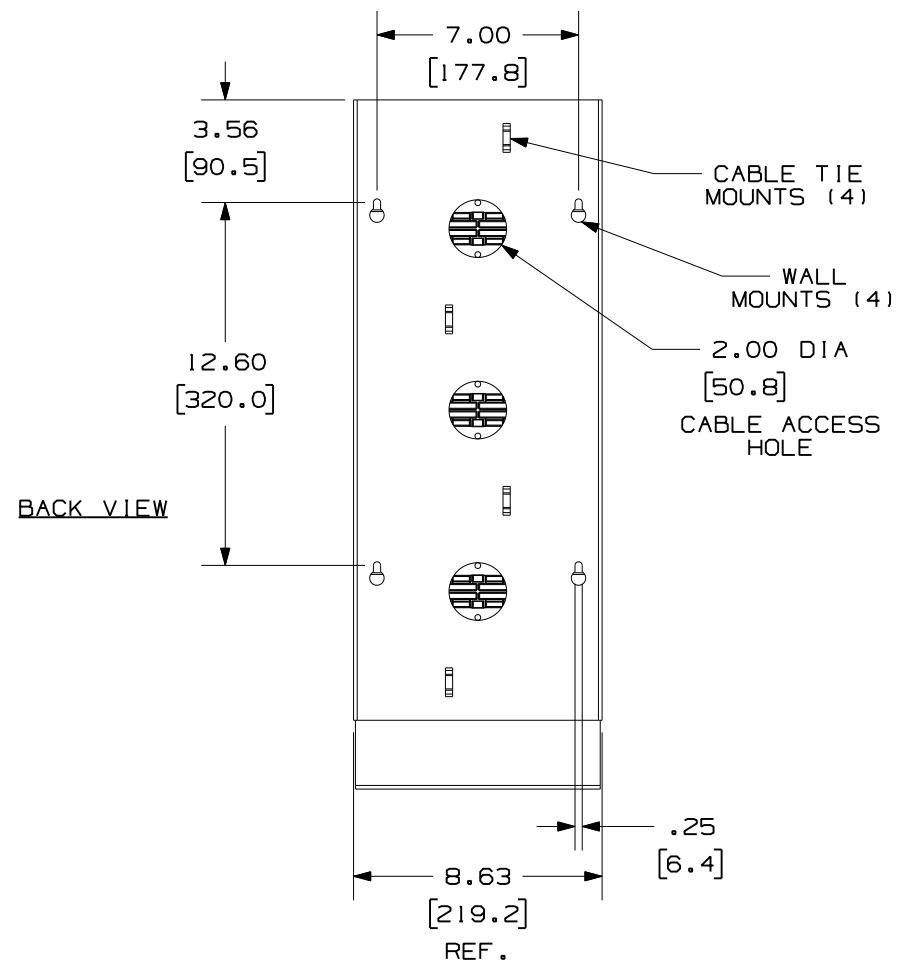
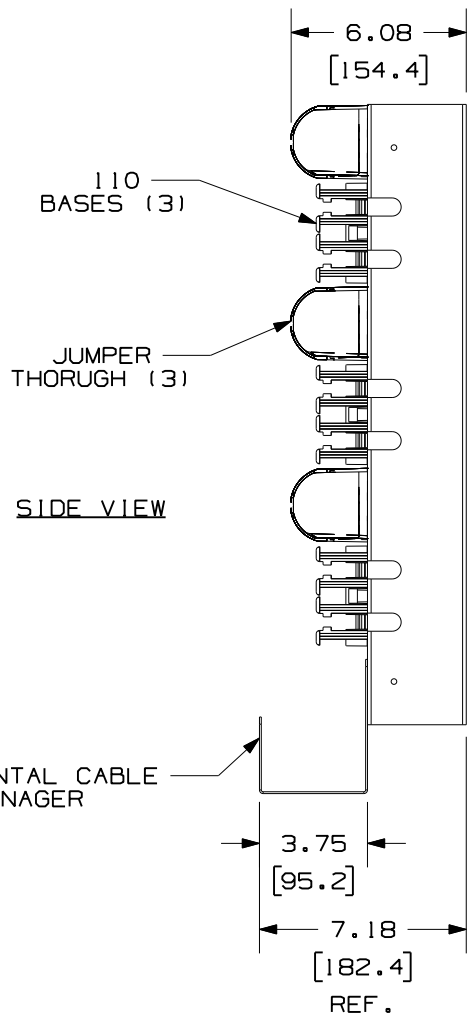
**B** CONNECTING BLOCKS

PART NUMBER	4 PAIR (P110CB4-•Y)	5 PAIR (P110CB5-•Y)
P110KT3004Y	60	12
P110KT3005Y	12	60

DRAWING FILENAME M02479NB_DC341_00B.PRT		SIZE <b>A</b>
<p><b>D</b></p> <p>PAN-PUNCH CATEGORY 5e TOWER SYSTEM - 300 PAIR CUSTOMER DRAWING</p>		
<p>PANDUIT<sup>TM</sup> CORP. TINLEY PARK, ILL 60477</p>	I.I. NUMBER	
	PRODUCT SPEC/ PKG SPEC	
<p>THIRD ANGLE PROJECTION</p>	<p>ALL DIMENSIONS ARE GIVEN IN INCHES, UNLESS OTHERWISE SPECIFIED.</p> <p>DIMENSIONAL TOLERANCES ARE: (.X) ± (.XXX) ±.010(.3) (.XX) ±.03(.8) ANGLES ±</p>	
	ASSY METHOD/ TEST METHOD SCALE NONE	
DRAWN BY NER	REVIEW DRAWING NUMBERS	PART NO. <b>A</b> SEE TABLE 1
DATE 3-24-06	MAT'L SEE NOTES	DRAWING NO. 02479-341 SH 1 OF 2

REV	DATE	BY	CHK	DESCRIPTION	ECN	R	CUST	SUP	OTH
I	5-21-07	BJN	EJH	E. REMVD NOTE 5 F. UPDATED DWG FORMAT D. PAN-PUNCH CATEGORY 5e TOWER SYSTEM - 300 PAIR WAS PAN-PUNCH 300 PAIR TOWER SYSTEM C. HORIZONTAL CABLE MGMT WAS VERTICAL A. ADDED "TABLE 1" B. ADDED 4-PR COLUMN	02479-341		KMCL		
R	3-24-06	NER	WJC	RELEASED TO PRODUCTION	02479-341		RMD		

THIS COPY IS PROVIDED ON A RESTRICTED BASIS AND IS NOT TO BE USED IN ANY WAY DETRIMENTAL TO THE INTERESTS OF PANDUIT CORP.



SIZE  
A

DRAWING FILENAME M02479NB_DC341_00B.PRT		I.I. NUMBER	
PAN-PUNCH CATEGORY 5e TOWER SYSTEM - 300 PAIR CUSTOMER DRAWING		PRODUCT SPEC/ PKG SPEC	
<b>PANDUIT</b> ™ CORP. TINLEY PARK, ILL 60477		ASSY METHOD/ TEST METHOD	
ALL DIMENSIONS ARE GIVEN IN INCHES, UNLESS OTHERWISE SPECIFIED. DIMENSIONAL TOLERANCES ARE: (.X) ± (.XXX) ±.010(.3) (.XX) ±.03(.8) ANGLES ±		SCALE NONE	
THIRD ANGLE PROJECTION 		PART NO. SEE TABLE 1	
DRAWN BY NER		REVIEW DRAWING NUMBERS	
DATE 3-24-06		DRAWING NO. 02479-341 SH 2 OF 2	
CHK'D WJC		SEE NOTES	

1	5-21-07	BJN	EJH	SEE SHEET 1 FOR REVISIONS	02479-341		KMCL		
REV	DATE	BY	CHK	DESCRIPTION	ECN	R	CUST	SUP	OTH