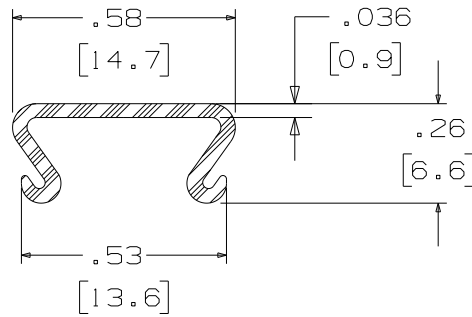


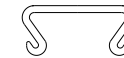
THIS COPY IS PROVIDED ON A RESTRICTED BASIS AND IS NOT TO BE USED IN ANY WAY DETRIMENTAL TO THE INTERESTS OF PANDUIT CORP.

PANDUIT P/N	WEIGHT
P110LH	.097 LB/6 PCS. (4.1 G/6 PCS.)

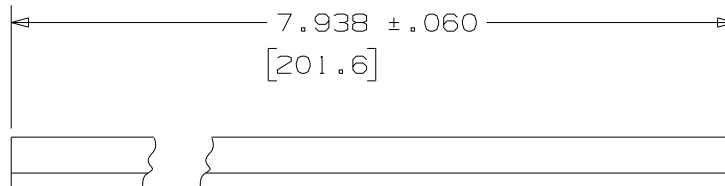


NOTES:

1. SEE CURRENT CATALOG FOR ADDITIONAL PART NUMBER SUFFIXES TO INDICATE PACKAGE QUANTITY.
2. THIS PART USED ON 110 CONNECTOR BASES, P/N'S: P110B100-X, P110BW100-X, P110B300-X, P110BW300-X.
3. DIMENSIONS IN PARENTHESIS ARE IN METRIC.



ACTUAL SIZE



CAD FILENAME/LAYERS D35536BB_110WBLLH_00

PANDUIT CORP. TINLEY PARK, ILLINOIS

110 WIRING BLOCK LABEL HOLDER
CUSTOMER DRAWING

UNLESS OTHERWISE SPECIFIED,
DIMENSIONAL TOLERANCES ARE:
(.X) ± (.XXX) ±.010 (.3)
(.XX) ±.03 (.8) ANGLES ±

UNLESS OTHERWISE SPECIFIED,
ALL DIMENSIONS ARE GIVEN
IN INCHES, THIRD ANGLE PROJECTION.

DRAWN BY JBA

MAT'L:
CLEAR
PVC

SCALE NONE

DATE 4-3-96

DRAWING NO.

35536-01

DWG

A
SIZE

REV	DATE	BY	CHK	DESCRIPTION	ECN	CHK	CUST	SUP
R	4-3-96	JBA		RELEASED TO PRODUCTION.	35536-01			