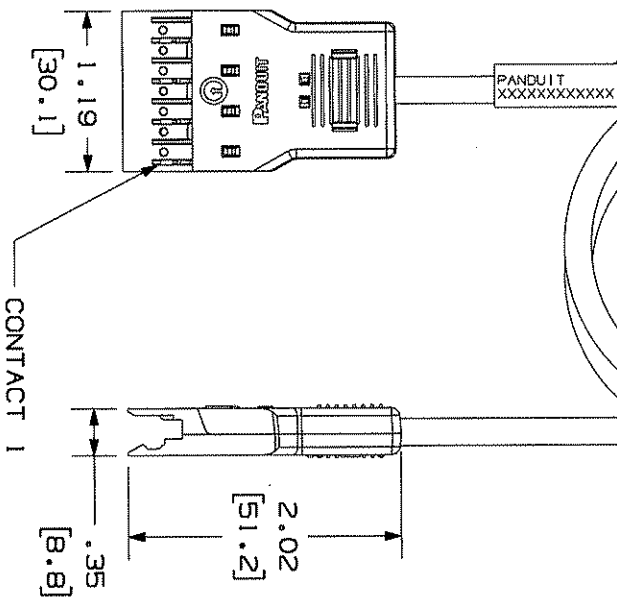


THIS COPY IS PROVIDED ON A RESTRICTED BASIS AND IS NOT TO BE USED IN ANY WAY DETRIMENTAL TO THE INTERESTS OF PANDUIT CORP.

IDENTIFICATION LABEL

TWIST TIE

CONTACT	WIRE COLOR
1	WHITE/BLUE
2	BLUE
3	WHITE/ORANGE
4	ORANGE
5	WHITE/GREEN
6	GREEN
7	WHITE/BROWN
8	BROWN



- NOTES:
- SEE CURRENT CATALOG FOR VARIOUS APPLICATIONS AND TO INDICATE PACKAGE QUANTITY.
 - 110 CONNECTORS ON BOTH ENDS. THE PATCH CORDS CAN BE USED WITH PANDUIT 110 RIBBON CONNECTING BLOCKS.
 - FEAT. WIRE INSULATION RETAINING CLIPS SECURE THE JACKET AND CONNECTOR FOR EASY INSTALLATION WHICH MINIMIZES WIRE UNWISTING. CLOSE TO THE POINT OF TERMINATION WHICH MINIMIZES WIRE UNWISTING.
 - POLARIZED TO PREVENT REVERSE INSTALLATION TO CONNECTOR.
 - CATEGORY 5E UNSHIELDED TWISTED PAIR CABLE WITH 24AWG STRANDED TINNED COPPER CONDUCTORS.
 - DIMENSIONS IN PARENTHESES ARE IN METRIC.

PANDUIT P/N	MIN. CABLE LENGTH	WEIGHT
P110PC4162Y	2 FT.	.83 LB./ 10 PCS (378.5 g/ 10PCS)
P110PC4163Y	3 FT.	1.05 LB./ 10 PCS (478.3 g/ 10PCS)
P110PC4164Y	4 FT.	1.25 LB./ 10 PCS (568.9 g/ 10PCS)
P110PC4165Y	5 FT.	1.48 LB./ 10 PCS (682.2 g/ 10PCS)
P110PC4166Y	6 FT.	1.67 LB./ 10 PCS (757.5 g/ 10PCS)
P110PC4167Y	7 FT.	1.82 LB./ 10 PCS (822.8 g/ 10PCS)
P110PC4168Y	8 FT.	2.09 LB./ 10 PCS (948.0 g/ 10PCS)
P110PC4169Y	9 FT.	2.30 LB./ 10 PCS (1043.9g/ 10PCS)
P110PC41612Y	12 FT.	2.93 LB./ 10 PCS (1328.0g/ 10PCS)
P110PC41615Y	15 FT.	3.58 LB./ 10 PCS (1614.8g/ 10PCS)
P110PC41618Y	18 FT.	4.19 LB./ 10 PCS (1900.6g/ 10PCS)
P110PC41619Y	18 FT.	.75 LB./ 10 PCS (342.0 g/ 10PCS)
P110PC41611Y	1M	1.09 LB./ 10 PCS (484.4 g/ 10PCS)
P110PC41611SMY	1.5M	1.44 LB./ 10 PCS (653.2 g/ 10PCS)
P110PC4162MY	2M	1.79 LB./ 10 PCS (807.4 g/ 10PCS)
P110PC4163MY	3M	2.19 LB./ 10 PCS (1120.5g/ 10PCS)
P110PC4165MY	5M	3.55 LB./ 10 PCS (1748.1g/ 10PCS)

REV	DATE	BY	CHK	DESCRIPTION	ECN	R	CUST	SUP	OTH
R	3-17-06	NER	NER	RELEASED TO PRODUCTION.	02479-255		WAV		

DRAWING FILENAME: M02479JUS_DC255_00A.PRT
 TITLE: CATEGORY 5e 110 PATCHCORD CUSTOMER DRAWING
 SIZE: A

PANDUIT CORP.
 TINELEY PARK, IL 60477

ALL DIMENSIONS ARE GIVEN UNLESS OTHERWISE SPECIFIED.
 DIMENSIONAL TOLERANCES ARE:
 (1.X) ± .031(.8) (1.XXX) ± .010(.3)
 ANGLES ±

REVIEW DRAWING NUMBERS

PRODUCT SPEC
 WORK INSTRUCTION
 SCALE: NONE
 PART NO.: P110PC4****Y

DATE	DATE	DRAWING NO.
3-17-06	3-17-06	02479-255