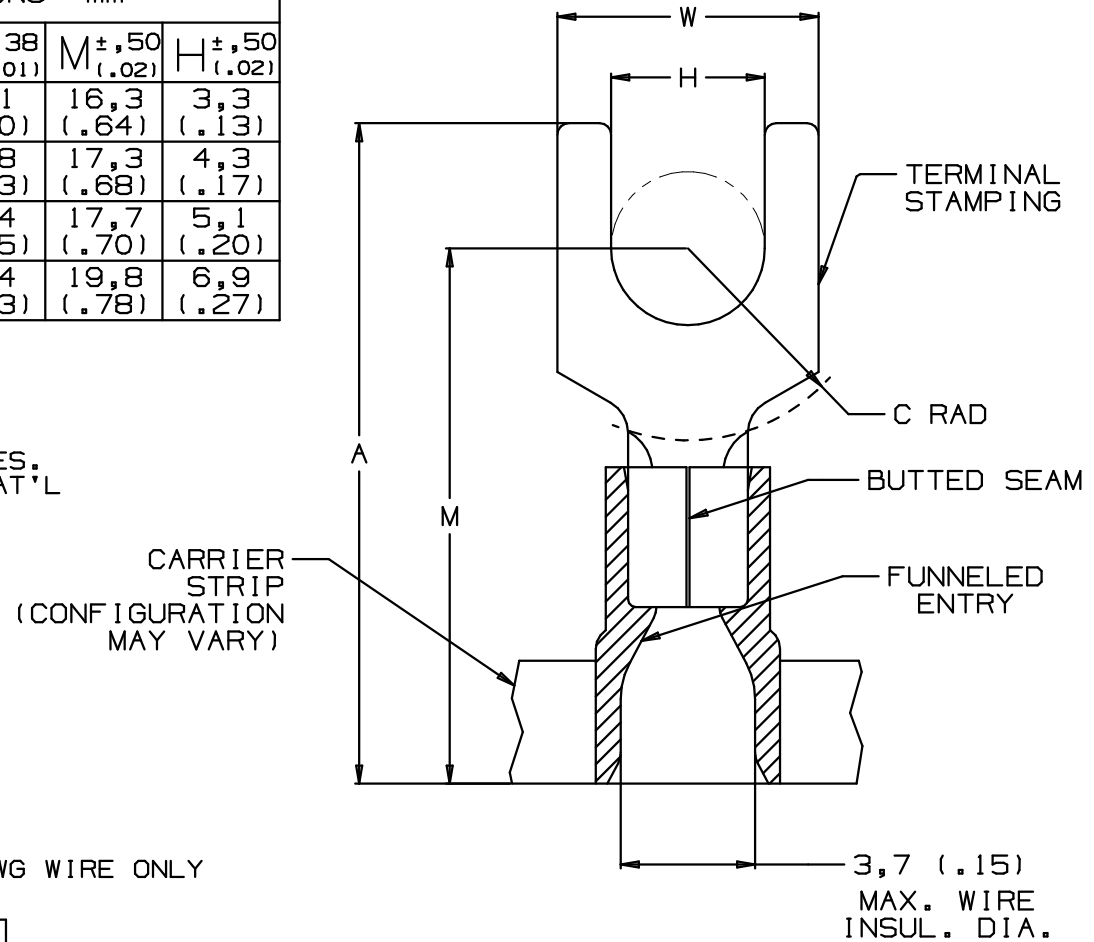


THIS COPY IS PROVIDED ON A RESTRICTED BASIS AND IS NOT TO BE USED IN ANY WAY DETRIMENTAL TO THE INTERESTS OF PANDUIT CORP.

PART NUMBER	STUD SIZE	WIRE RANGE mm ² (AWG)	DIMENSIONS mm				
			A ±.80 (.03)	W ±.25 (.01)	C ±.38 (.01)	M ±.50 (.02)	H ±.50 (.02)
PMV1-3FB-3K	M3	0,5-1,5 (22-18)	19,8 (.78)	5,8 (.23)	5,1 (.20)	16,3 (.64)	3,3 (.13)
PMV1-4FB-3K	M4	0,5-1,5 (22-18)	21,3 (.84)	8,1 (.32)	5,8 (.23)	17,3 (.68)	4,3 (.17)
PMV1-5FB-3K	M5	0,5-1,5 (22-18)	21,8 (.86)	9,0 (.35)	6,4 (.25)	17,7 (.70)	5,1 (.20)
PMV1-6FB-3K	M6	0,5-1,5 (22-18)	26,2 (1.03)	11,2 (.44)	8,4 (.33)	19,8 (.78)	6,9 (.27)

NOTES:

- USED FOR:
 - A. 600V MAX. BUILDING WIRE
1000V MAX. IN SIGNS, FIXTURES, AND LUMINAIRES.
 - B. 105°C (221°F) MAX. TEMP. RATING OF INSUL. MAT'L
 - C. SOLID OR STRANDED COPPER WIRE
- PACKAGE QTY:
3K = 3000 PCS. ON CONTINUOUSLY MOLDED CARRIER STRIP
- MATERIAL:
 - A. STAMPING: .81 (.03) THK. COPPER, TIN PLATED
 - B. HOUSING: RED VINYL
- WIRE STRIP LENGTH: $6,4^{+,8}_{-0}$ ($1/4^{+1/32}_{-0}$)
- DIMENSIONS IN BRACKETS ARE IN INCHES OR AWG
- UL LISTED AND CSA CERTIFIED WITH COPPER 22-18AWG WIRE ONLY



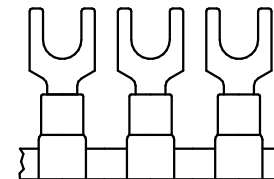
		PANDUIT PRESS					
		CP-851 <i>DISCONTINUED</i>	CP-860 <i>DISCONTINUED</i>	CP-861	CP-862	CP-871 60HZ	CP-871/E 50HZ
APPLICATORS	CA-800		X	X			
	CA-800EZ	X				X	X
	CA9				X	X	X



LISTED
587H
E52164



CERTIFIED
LR31212



A41616_01

				PANDUIT CORP. TINLEY PARK, ILLINOIS			
01	3/06	DAW	DAW	ADDED PANDUIT PRESS & APPLICATOR CHART	TR00083		
00	9/97	JKD	WJB	RELEASED	6191	LA	DBH
REV	DATE	BY	CHK	DESCRIPTION	ECN #	CUST	PM
					TSM	CHK'D	SCALE
							NONE
							DRAWING NO.
							A41616

2 PC. CONTINUOUSLY MOLDED VINYL INSULATED METRIC FORK 0,5-1,5mm² BARREL