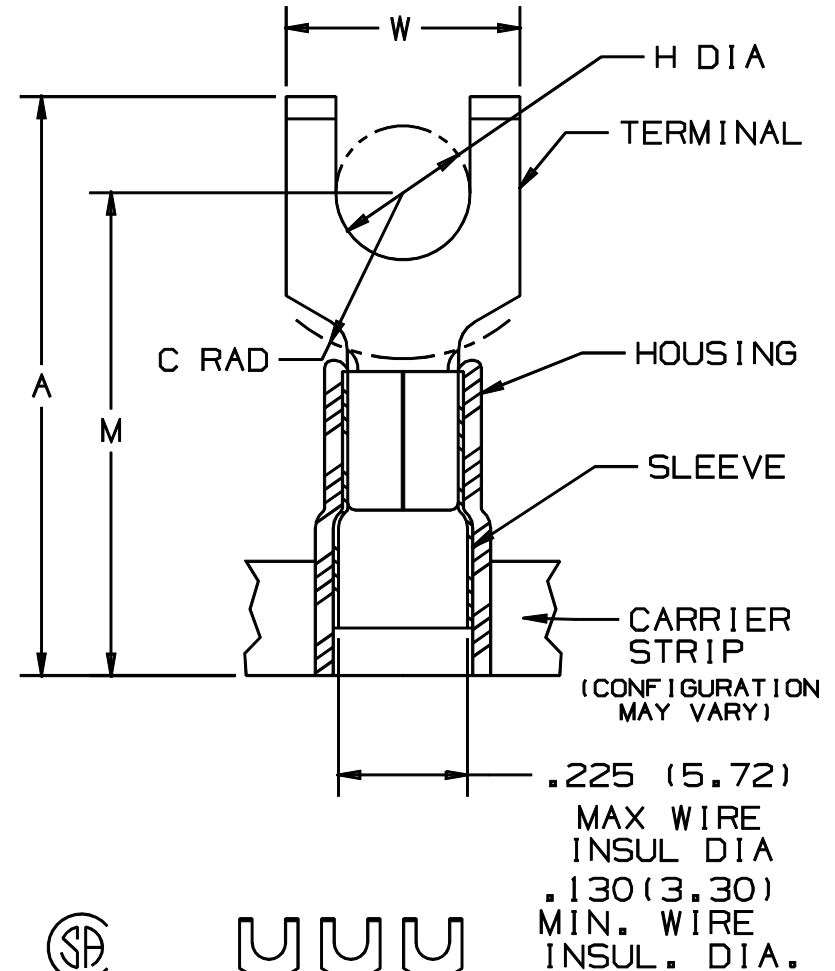


THIS COPY IS PROVIDED ON A RESTRICTED BASIS AND IS NOT TO BE USED IN ANY WAY DETRIMENTAL TO THE INTERESTS OF PANDUIT CORP.

PANDUIT PART NUMBER	STUD SIZE	DIMENSIONS in.				
		A ±.040	W ±.010	C ±.020	M ±.040	H ±.010
PN10-8FF-2K	#8	1.05 (26.67)	.38 (9.65)	.22 (5.59)	.80 (20.32)	.17 (4.32)
PN10-10FF-2K	#10	1.05 (26.67)	.38 (9.65)	.22 (5.59)	.80 (20.32)	.20 (5.08)



NOTES :

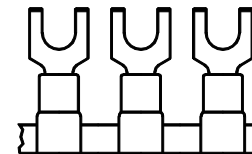
- UL LISTED AND CSA CERTIFIED FOR :
 - 600 V MAX. VOLTAGE RATING
 - 221°F (105°C) MAX. TEMP. RATING
 - #12-10 AWG (2.5-6.0 mm²) SOLID OR STRANDED, COPPER WIRE
- PACKAGE QTY. : 2K = 2000 PCS.
CONTINUOUS MOLDED CARRIER STRIP
- MATERIAL :
 - STAMPING - .04" THK COPPER, TIN PLATED
 - HOUSING - YELLOW NYLON
 - SLEEVE - BRASS, TIN PLATED
- DIMENSIONS IN BRACKETS ARE IN MILLIMETERS
- INSTALLATION TOOLS :
 - PRESSES - CP-851, CP-860, CP-861
 - APPLICATOR - CA-800
 - DIE INSERTS - CD-800-3
- WIRE STRIP LENGTH: $9/32^{+1/32}_{-0}$ (7.1^{+0.8}₋₀)



LISTED
587H
E52164



CERTIFIED
LR31212



A41091_05

05	1/01	SAB		FILE SPEC. WAS N41091AA_PCD_04				TINLEY PARK, ILLINOIS TERMO 3PC. CONTINUOUSLY MOLDED NYLON INSULATED, 12-10 BARREL, FLANGED FORKS			
04	5/99	ED		UPDATED "A" & "M" DIM.S. AND MODIFIED DIMENSIONAL TOLERANCES	07670						
03	12/96	JAMBRLS		ADDED DIM., "MIN INSUL. DIA."	05388	LA	DBH				
REV	DATE	BY	CHK	DESCRIPTION	ECN	CUST	PM	DRAWN BY FES	CHK'D LA	SCALE NONE	DRAWING NO. A41091