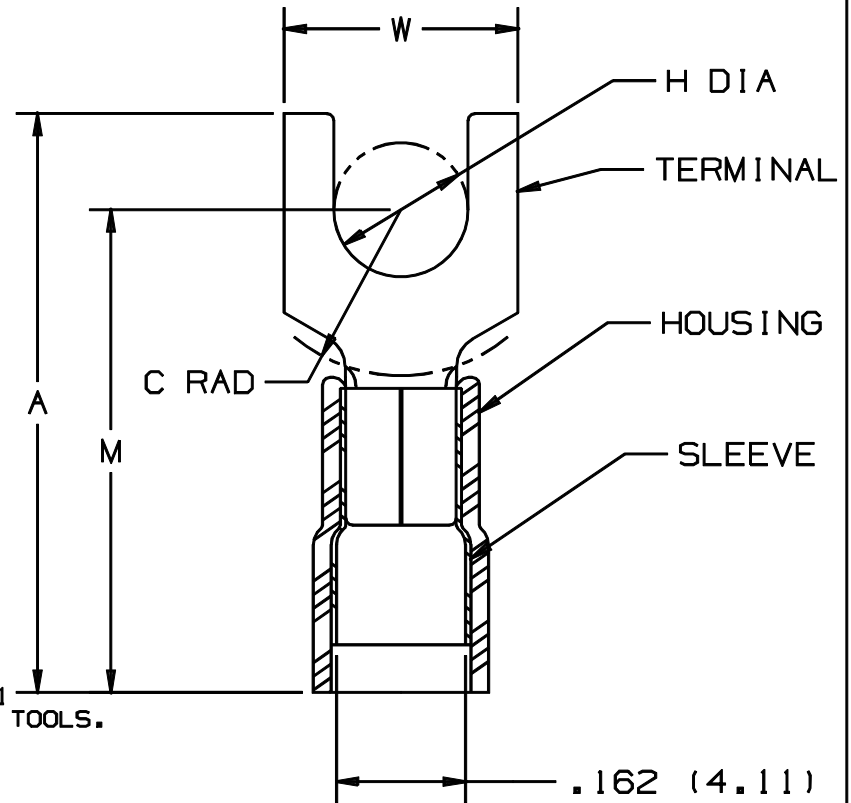


THIS COPY IS PROVIDED ON A RESTRICTED BASIS AND IS NOT TO BE USED IN ANY WAY DETRIMENTAL TO THE INTERESTS OF PANDUIT CORP.

PANDUIT PART NUMBER	STUD SIZE	DIMENSIONS in.				
		A $\pm .03$	W $\pm .01$	C $\pm .02$	M $\pm .03$	H $\pm .01$
PN14-6FN	#6	.79 (20.07)	.24 (6.10)	.19 (4.83)	.65 (16.51)	.15 (3.81)
PN14-6F	#6	.79 (20.07)	.28 (7.11)	.19 (4.83)	.65 (16.51)	.15 (3.81)
PN14-8F	#8	.85 (21.59)	.31 (7.87)	.23 (5.84)	.67 (17.02)	.17 (4.32)
PN14-10F	#10	.87 (22.10)	.34 (8.64)	.24 (6.10)	.71 (18.03)	.20 (5.08)
PN14-10FN	#10	.87 (22.10)	.31 (7.87)	.24 (6.10)	.71 (18.03)	.20 (5.08)
PN14-14F	1/4"	1.02 (25.91)	.44 (11.18)	.32 (8.13)	.77 (19.56)	.27 (6.86)



NOTES:

- UL LISTED AND CSA CERTIFIED FOR:
  - 600V. MAX. BLDG WIRE (1000 V. MAX IN SIGNS, FIXTURES & LUMINAIRES),
  - #18-14 AWG SOLID OR STRANDED COPPER WIRE WITH THE CT-550, CT-500, CT-1550, CT-1551 CT-460 (UL ONLY) AND CT-400 (UL ONLY) INSTALLATION TOOLS.
  - #16-14 AWG SOLID OR STRANDED COPPER WIRE WITH THE CT-100 AND CT-250 INSTALLATION TOOLS.
  - 221°F (105°C) MAX TEMP. RATING
- MATERIAL:
  - STAMPING - .032" (.81) THK COPPER, TIN PLATED
  - HOUSING - NYLON, BLUE
  - SLEEVE - BRASS, TIN PLATED

3. STRIP LENGTH - 7/32  $\pm 1/32$   $\pm 1/10$

4. PACKAGE QTY:  
 -C=100  
 -M=1000

5. DIMENSIONS IN BRACKETS ARE IN MILLIMETERS



LISTED  
587H  
E52164



CERTIFIED  
LR31212

.162 (4.11)  
MAX WIRE  
INSUL DIA  
.080 (2.03)  
MIN. WIRE  
INSUL DIA.

A41192\_03

03	1/01	KMD		CAD FILE SPEC. WAS N41192AA_PCD_02				<b>PANDUIT</b> CORP. TINLEY PARK, ILLINOIS			
02	1/97	JAMB		ADDED DIM. "MIN. WIRE INSULATION DIA." UPDATE NOTES	05380						
01	6/95	MS	RLS	UPDATED NOTES AND DIMENSIONS	03405	LA	KRS	3PC. NYLON INSULATED, 16-14 BARREL, FORKS			
00	3/88	FS	LM	RELEASED		LA	JB				
REV	DATE	BY	CHK	DESCRIPTION	ECN#	CUST	PM	DRAWN BY FES	CHK'D LA	SCALE NONE	DRAWING NO. A41192