

Current refinements (click to remove)

[Search Tips](#)
 Region [USA](#) Product Family [Fork Terminal, Nylon Insulated](#) Text Search: 'PN14-8F-M'

Your search criteria matched only one product, shown below.


- Fork design provides for fast and easy installation, without the need to remove fastener
- Metal insulation grip sleeve crimps to wire insulation, providing protection to the crimp joint during high vibration applications
- Internal barrel serrations assure good wire contact and maximum tensile strength
- UL Flammability UL 94V-2/HB, maximum insulation temperature 221°F (105°C)
- UL and CSA rated up to 600 V per UL 486

‡UL and CSA approved tooling/product combinations.

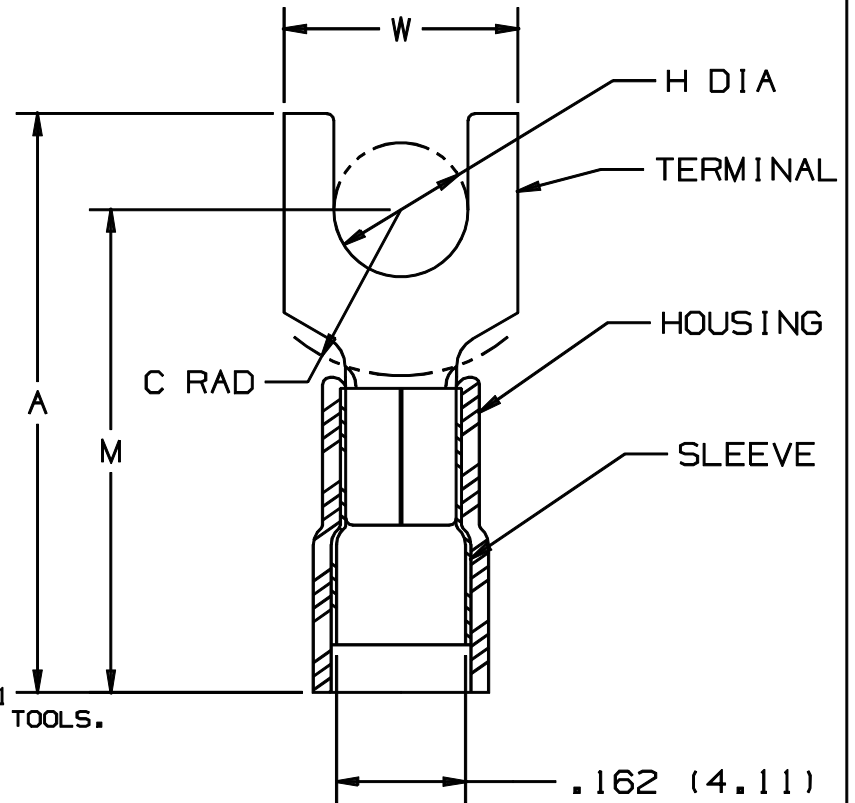
Note: Wire sizes #26 – #22 AWG, are not UL Listed or CSA Certified.

Part Number:	PN14-8F-M
RoHS Compliancy Status:	Compliant
Part Description:	Fork Terminal, nylon insulated, 16 – 14 AWG, #8 stud size.
Product Type:	Terminals
CSA Certified:	Yes
UL Listed:	Yes
Length (In.):	.85
Width (In.):	.31
Angle:	straight
Clearance:	.23
Max. Ins.:	.162
Panduit Color Code:	Blue
Stock:	.03
Stud Size:	#8
Tool:	CT-100A‡, CT-600-A‡, CT-1550‡, CT-1551‡, CT-2500‡
Wire Range:	16 – 14 AWG
Wire Range (mm ²):	1.0 - 2.5
Min. Order UOM:	PC
Min. Order Qty.:	1000
BOM Qty. (# of Pkgs.)	
Add to My Catalog	

 Please [register](#) to utilize the 'Bill of Materials', 'Submit Quotes' and 'My Catalog' features.

THIS COPY IS PROVIDED ON A RESTRICTED BASIS AND IS NOT TO BE USED IN ANY WAY DETRIMENTAL TO THE INTERESTS OF PANDUIT CORP.

PANDUIT PART NUMBER	STUD SIZE	DIMENSIONS in.				
		A $\pm .03$	W $\pm .01$	C $\pm .02$	M $\pm .03$	H $\pm .01$
PN14-6FN	#6	.79 (20.07)	.24 (6.10)	.19 (4.83)	.65 (16.51)	.15 (3.81)
PN14-6F	#6	.79 (20.07)	.28 (7.11)	.19 (4.83)	.65 (16.51)	.15 (3.81)
PN14-8F	#8	.85 (21.59)	.31 (7.87)	.23 (5.84)	.67 (17.02)	.17 (4.32)
PN14-10F	#10	.87 (22.10)	.34 (8.64)	.24 (6.10)	.71 (18.03)	.20 (5.08)
PN14-10FN	#10	.87 (22.10)	.31 (7.87)	.24 (6.10)	.71 (18.03)	.20 (5.08)
PN14-14F	1/4"	1.02 (25.91)	.44 (11.18)	.32 (8.13)	.77 (19.56)	.27 (6.86)



NOTES:

- UL LISTED AND CSA CERTIFIED FOR:
 - 600V. MAX. BLDG WIRE (1000 V. MAX IN SIGNS, FIXTURES & LUMINAIRES),
 - #18-14 AWG SOLID OR STRANDED COPPER WIRE WITH THE CT-550, CT-500, CT-1550, CT-1551 CT-460 (UL ONLY) AND CT-400 (UL ONLY) INSTALLATION TOOLS.
 - #16-14 AWG SOLID OR STRANDED COPPER WIRE WITH THE CT-100 AND CT-250 INSTALLATION TOOLS.
 - 221°F (105°C) MAX TEMP. RATING
- MATERIAL:
 - STAMPING - .032" (.81) THK COPPER, TIN PLATED
 - HOUSING - NYLON, BLUE
 - SLEEVE - BRASS, TIN PLATED

3. STRIP LENGTH - 7/32 $\pm 1/32$ ± 0

4. PACKAGE QTY:
 -C=100
 -M=1000

5. DIMENSIONS IN BRACKETS ARE IN MILLIMETERS



LISTED
587H
E52164



CERTIFIED
LR31212

.162 (4.11)
MAX WIRE
INSUL DIA
.080 (2.03)
MIN. WIRE
INSUL DIA.

A41192_03

03	1/01	KMD		CAD FILE SPEC. WAS N41192AA_PCD_02				PANDUIT CORP.	TINLEY PARK, ILLINOIS		
02	1/97	JAMB		ADDED DIM. "MIN. WIRE INSULATION DIA." UPDATE NOTES	05380						
01	6/95	MS	RLS	UPDATED NOTES AND DIMENSIONS	03405	LA	KRS	3PC. NYLON INSULATED, 16-14 BARREL, FORKS			
00	3/88	FS	LM	RELEASED		LA	JB				
REV	DATE	BY	CHK	DESCRIPTION	ECN#	CUST	PM	DRAWN BY FES	CHK'D LA	SCALE NONE	DRAWING NO. A41192