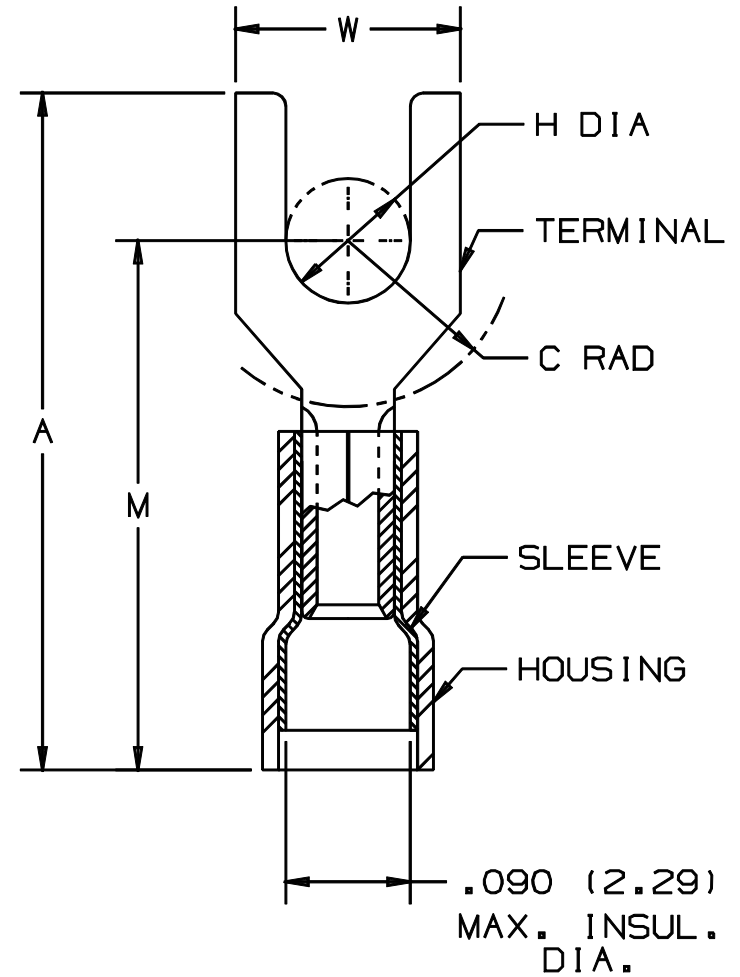


THIS COPY IS PROVIDED ON A RESTRICTED BASIS AND IS NOT TO BE USED IN ANY WAY DETRIMENTAL TO THE INTERESTS OF PANDUIT CORP.

PANDUIT PART NUMBER	STUD SIZE	DIMENSIONS in.				
		A $\pm .03$	W $\pm .01$	C $\pm .02$	M $\pm .03$	H $\pm .01$
PN22-4F	#4	.67 (17.02)	.20 (5.08)	.21 (5.33)	.57 (14.49)	.12 (3.05)
PN22-6F	#6	.77 (19.56)	.25 (6.35)	.26 (6.60)	.63 (16.00)	.15 (3.81)

NOTES:

- RECOMMENDED FOR:
 - 300V. MAX. VOLTAGE RATING
 - #26-22 AWG SOLID OR STRANDED COPPER WIRE
 - 221° F (105° C) MAX. TEMP. RATING
- MATERIAL:
 - STAMPING - .020 (0.51) THK COPPER, TIN PLATED
 - HOUSING - NYLON, YELLOW
 - SLEEVE - BRASS, TIN PLATED
- PACKAGE QTY: STD. PKG. - C = 100
BULK PKG. - M = 1000
- DIMENSIONS IN BRACKETS ARE IN MILLIMETERS
- INSTALLATION TOOLS: CT-520
- WIRE STRIP LENGTH: $3/16" +1/32"_{-0}^{+0.8}$ (4.8 $+0.8_{-0}$).



A41235_06

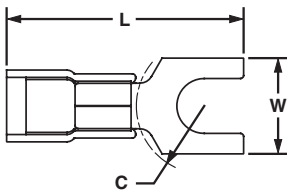
06	1/01	KMD		CAD FILE SPEC. WAS N41235AA_PCD_05				<p>TINLEY PARK, ILLINOIS</p> <p>#26-22 BARREL NYLON INSULATED FORK, .090 (2.29) MAX. WIRE INSUL. DIA.</p>
05	2/96	ED		REVISIONS TO NOTES AND TABLE SPEC.S FILESPEC WAS: A41235A.PRT	04036			
04	7/88	DW		REDRAWN WITH REVISIONS				
REV	DATE	BY	CHK	DESCRIPTION	ECN #	CUST	PM	DRAWN BY DAW
								DWTD SCALE NONE
								DRAWING NO. A41235



Fork Terminal, Nylon Insulated

Type PN-F

- Insulation grip sleeve



Part Number	Wire Range	Color Code	Stock Thickness	Max. Ins.	Stud Size	Figure Dimensions (In.)			Crimp Tool	Std. Pkg. Qty.**	Std. Ctn. Qty.
						L	W	C			
PN22-2F-C*	26-22 AWG	Yellow	.02	.090	#2	.66	.20	.19	CT-100, CT-600, CT-1525	100	1000
PN22-4F-C*			.02	.090	#4	.67	.20	.21		100	1000
PN22-6F-C*			.02	.090	#6	.77	.25	.26		100	1000
PN18-6FN-C	22-18 AWG	Red	.03	.145	#6	.78	.24	.20	CT-100‡, CT-600‡, CT-1550‡, CT-1551‡	100	500
PN18-6F-C			.03	.145	#6	.78	.30	.20		100	500
PN18-8F-C			.03	.145	#8	.85	.32	.23		100	500
PN18-10FN-C			.03	.145	#10	.86	.31	.25		100	500
PN18-10F-C			.03	.145	#10	.86	.35	.25		100	500
PN18-14F-C			.03	.145	1/4"	1.03	.44	.33		100	500
PN14-6FN-C	16-14 AWG	Blue	.03	.162	#6	.79	.24	.19	CT-100‡, CT-600‡, CT-1550‡, CT-1551‡	100	500
PN14-6F-C			.03	.162	#6	.79	.28	.19		100	500
PN14-8F-C			.03	.162	#8	.85	.31	.23		100	500
PN14-10FN-C			.03	.162	#10	.87	.31	.24		100	500
PN14-10F-C			.03	.162	#10	.87	.34	.24		100	500
PN14-14F-C			.03	.162	1/4"	1.02	.44	.32		100	500
PN10-6F-L	12-10 AWG	Yellow	.04	.225	#6	1.02	.31	.22	CT-100‡, CT-600‡, CT-1550‡, CT-1551‡	50	500
PN10-8F-L			.04	.225	#8	1.05	.37	.22		50	500
PN10-10F-L			.04	.225	#10	1.05	.37	.22		50	500
PN10-14F-L			.04	.225	1/4"	1.16	.49	.30		50	500

*Wire sizes #26-22 AWG, are not UL Listed or CSA Certified.

**To order in bulk, replace -C in the part number with -M for a bulk package of 1000 and replace -L with -D for a bulk package of 500.

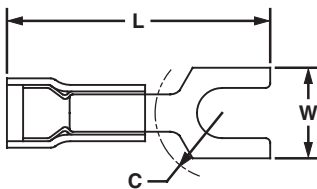
‡UL and CSA approved tooling/product combinations.



Fork Terminal, Nylon Insulated – Funnel Entry

Type PNF-F

- Insulation grip sleeve



Part Number	Wire Range	Color Code	Stock Thickness	Max. Ins.	Stud Size	Figure Dimensions (In.)			Crimp Tool	Std. Pkg. Qty.**	Std. Ctn. Qty.
						L	W	C			
PNF18-6F-C	22-18 AWG	Red	.03	.145	#6	.80	.30	.22	CT-100‡, CT-600‡, CT-1550‡, CT-1551‡	100	500
PNF18-8F-C			.03	.145	#8	.86	.31	.25		100	500
PNF18-10F-C			.03	.145	#10	.87	.34	.26		100	500
PNF18-14F-C			.03	.145	1/4"	1.05	.44	.32		100	500
PNF14-6F-C	16-14 AWG	Blue	.03	.162	#6	.80	.28	.22	CT-100‡, CT-600‡, CT-1550‡, CT-1551‡	100	500
PNF14-8F-C			.03	.162	#8	.85	.31	.25		100	500
PNF14-10F-C			.03	.162	#10	.87	.34	.26		100	500
PNF14-14F-C			.03	.162	1/4"	1.05	.44	.35		100	500
PNF10-6F-L	12-10 AWG	Yellow	.04	.225	#6	1.00	.31	.24	CT-100‡, CT-600‡, CT-1550‡, CT-1551‡	50	500
PNF10-8F-L			.04	.225	#8	1.08	.37	.24		50	500
PNF10-10F-L			.04	.225	#10	1.08	.37	.24		50	500
PNF10-14F-L			.04	.225	1/4"	1.18	.50	.31		50	500

**To order in bulk, replace -C in the part number with -M for a bulk package of 1000 and replace -L with -D for a bulk package of 500.

‡UL and CSA approved tooling/product combinations.

System Overview

Terminals

Disconnects

Splices

Ferrules

Compression Connectors

Crimping Tools

Mechanical Connectors

Grounding Connectors

Support Products

Technical Info

Index