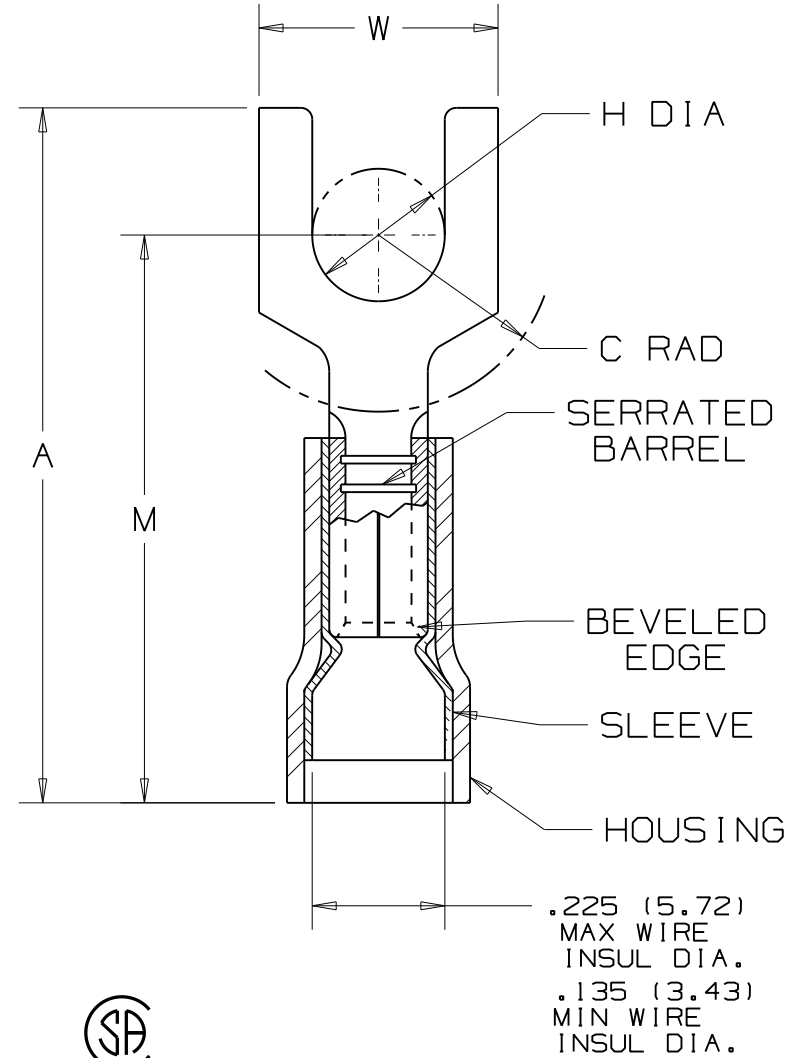


PANDUIT PART NUMBER	STUD SIZE	DIMENSIONS in.				
		A $\pm .04$ (1.02)	W $\pm .01$ (.25)	C MIN	M $\pm .04$ (1.02)	H $\pm .01$ (.25)
PNF10-6F	#6	.99 (25.02)	.31 (7.92)	.24 (6.20)	.79 (20.02)	.15 (3.73)
PNF10-8F	#8	1.02 (25.78)	.38 (9.53)	.24 (6.20)	.79 (20.02)	.17 (4.39)
PNF10-10F	#10	1.02 (25.78)	.38 (9.53)	.24 (6.20)	.79 (20.02)	.20 (5.03)
PNF10-14F	1/4"	1.12 (28.52)	.50 (12.57)	.32 (8.20)	.87 (22.17)	.27 (6.79)

NOTES:

- UL LISTED AND CSA CERTIFIED FOR:
  - 600V. MAX. BLDG. WIRE (1000V. MAX. IN SIGNS, FIXTURES & LUMINARIES)
  - #12-10 AWG STRANDED AND #12 AWG SOLID COPPER WIRE WITH THE CT-1550, CT-1551 AND CT-2500 WITH CT-2550CH CRIMP HEAD INSTALLATION TOOLS.
  - #12-10 AWG SOLID OR STRANDED COPPER WIRE WITH THE CT-100A INSTALLATION TOOL.
  - 221° F (105° C) MAX. TEMP. RATING
- MATERIAL:
  - STAMPING - .04" (1.02) THK COPPER, TIN PLATED
  - HOUSING - NYLON, YELLOW
  - SLEEVE - BRASS, TIN PLATED
- WIRE STRIP LENGTH:  $9/32^{+1/32}_{-0}$
- SEE [www.panduit.com](http://www.panduit.com) FOR PART NUMBER SUFFIX DESIGNATION FOR PACKAGE SIZE.
- DIMENSIONS IN BRACKETS ARE IN MILLIMETERS.



LISTED  
587H  
E52164



CERTIFIED  
LR31212

N41262BA/07

								<b>PANDUIT</b> CORP. TINLEY PARK, ILLINOIS			
								#12-10 BARREL FORK, NYLON INSULATED FUNNELED WIRE ENTRY, .225 (5.72) MAX. WIRE INSULATION DIAMETER			
07	12/20/11	FS		Obsolete installation tools removed, UL information clarified, general dimensional updates.							
REV	DATE	BY	CHK	DESCRIPTION	ECN #	CUST	PM	DRAWN BY DAW	CHK'D LA	SCALE NONE	DRAWING NO. A41262