

THIS COPY IS PROVIDED ON A RESTRICTED BASIS AND IS NOT TO BE USED IN ANY WAY DETRIMENTAL TO THE INTERESTS OF PANDUIT CORP.

PANDUIT PART NUMBER	STUD SIZE	DIMENSIONS in.				
		A ±.030	W ±.010	C ±.020	M ±.030	H ±.010
PNF18-6LF-3K	#6	.85 (21.59)	.24 (6.10)	.19 (4.82)	.63 (16.00)	.15 (3.81)
PNF18-6LFW-3K	#6	.85 (21.59)	.29 (7.37)	.19 (4.82)	.63 (16.00)	.15 (3.81)
PNF18-8LF-3K	#8	.89 (22.61)	.29 (7.37)	.23 (5.84)	.68 (17.27)	.16 (4.06)
PNF18-10LF-3K	#10	.89 (22.61)	.33 (8.38)	.23 (5.84)	.68 (17.27)	.19 (4.83)
PNF18-10LFN*3K	#10	.89 (22.61)	.28 (7.11)	.23 (5.84)	.68 (17.27)	.19 (4.83)

NOTES :

- UL LISTED AND CSA CERTIFIED FOR :
 - 600 V MAX. VOLTAGE RATING (1000V. MAX. IN SIGNS, FIXTURES & LUMINARIES)
 - 221°F (105°C) MAX. TEMP. RATING OF INSULATION MATERIAL
 - #22-18 AWG (0.5-1.5 mm²) SOLID OR STRANDED, COPPER WIRE
- PACKAGE QTY. : 3K = 3000 PCS.
CONTINUOUS MOLDED CARRIER STRIP
- MATERIAL :
 - STAMPING - .03" THK COPPER, TIN PLATED
 - HOUSING - RED NYLON
 - SLEEVE - BRASS, TIN PLATED
- WIRE STRIP LENGTH: 1/4 ^{+1/32} ₋₀ (6.4 ^{+.80} _{-.00})
- DIMENSIONS IN BRACKETS ARE IN MILLIMETERS
- INSTALLATION TOOLS :
 - PRESSES - CP-851, CP-860, CP-861
 - APPLICATOR - CA-800
 - DIE INSERTS - CD-800-1

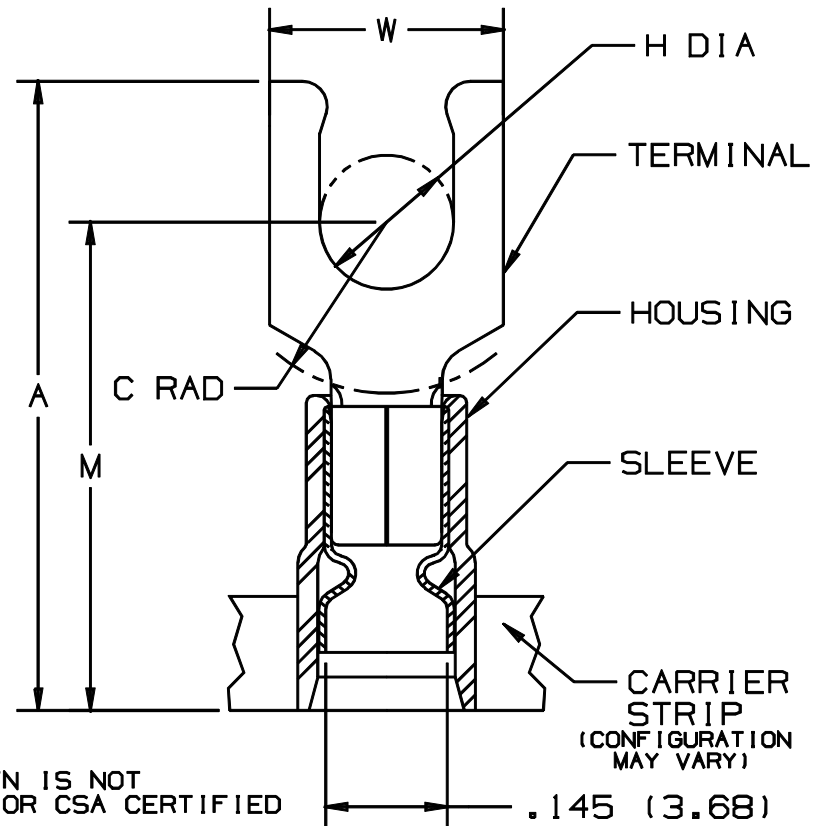
* PNF18-10LFN IS NOT UL LISTED OR CSA CERTIFIED



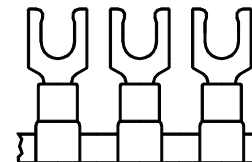
LISTED
587H
E52164



CERTIFIED
LR31212



.145 (3.68)
MAX WIRE
INSUL DIA
.090 (2.29)
MIN WIRE
INSUL. DIA.



06	1/01	KMD		CAD FILE SPEC. WAS N41148AA_PCD_05				
05	2/97	JAMB		MAX. WIRE INSULATION DIA. WAS .136(3.45) UPDATED NOTES AND TABLE "W" DIM. ON PNF18-6LF-3K WAS .27(6.86)	05559			
04	1/97	JAMB	RLS	ADDED DIM., "MIN. WIRE INSULATION DIA."	05402	LA	DBH	
03	9/96	TSMA	RLS	REVISED DIMS AND TOLERANCES	05087	LA	DBH	
				ORIGINAL FILESPEC WAS NPC-A41148-02				
02	3/91	DL		TANG WIDTH INCREASED PART NO PNF18-6LF-3K		JH	LA	KS
REV	DATE	BY	CHK	DESCRIPTION	ECN	QA	CUST	PM

				A41148_06				
PANDUIT CORP.				TINLEY PARK, ILLINOIS				
				TERMO 3PC. CONTINUOUSLY MOLDED NYLON (FUNNEL) INSULATED, 22-18 BARREL, LOCKING FORKS				
DRAWN BY	GRM	CHK'D	FS	SCALE	NONE	DRAWING NO.	A41148	