



# Extended Reach 10Gig™ SFP+ Direct Attach Active Copper Cable Assemblies

## Low Power, Low Latency 10 Gb/s Server Interconnect Solution

As virtualization, consolidation, and convergence initiatives continue to grow, so do the demands placed on the physical infrastructure. To meet the needs for faster processing speeds, low power server inter-connect and I/O consolidation deployments, Panduit offers 10Gig™ SFP+ Direct Attach Active Copper Cable Assemblies.

These active SFP+ copper cable assemblies contain low power circuitry in the connector to boost the signal and are driven from the port without additional power requirements. They provide a low cost alternative to optical transceivers, and are generally used for end of row or middle of row data center architectures for interconnect distances of up to 10 meters (33 feet).

End-to-end High Speed Data Transport (HSDT) solutions from Panduit deliver enhanced availability, agility, and security. Visit [www.panduit.com/hsdt](http://www.panduit.com/hsdt) to learn more about how these solutions help customers manage risk across their physical infrastructure.

<b>Key Features</b>	<b>Benefits</b>
<b>Low latency performance</b>	Ideal for high performance computer clustering and other latency sensitive applications
<b>Low power active circuitry</b>	Provides a low cost interconnect alternative to optical transceivers that can be driven off the existing port power
<b>Small diameter cable design</b>	Enables proper cable management and improved air flow
<b>Built-in strain relief</b>	Ensures proper bend radius control for reliable deployment
<b>Robust construction</b>	High speed 10 GHz twin-axial cable, with two shielded parallel pairs, factory terminated to SFP+ 10 Gb/s hot pluggable modular connectors; rated to a minimum 250 mating cycles
<b>Variety of extended reach lengths</b>	Available in 3, 5 meters and 7 to 10 (one meter increments) for design flexibility in combination with end of row and middle of row deployment
<b>100% performance tested</b>	Confidence that each assembly delivers specified performance for ensured network availability
<b>Compliant to SFF-8431, SFF-8432 and SFF-8472</b>	Ensuring 10 Gb/s performance when mated to any SFF-8431 SFP+ compliant host port
<b>High density deployment</b>	Robust easy-to-use latching feature allows high density belly-to-belly installation and deployments
<b>Variety of colors</b>	Available in Blue, White, Black, Red, and Green for easy identification of multiple networks and fabrics
<b>Part of the Panduit Unified Physical Infrastructure<sup>SM</sup> solution</b>	Designed to be integrated with Panduit NetAccess™ Cabinets for design flexibility, improved thermal and cable management

### Key Applications Include:

- End of Row/Middle of Row Switching architectures
- I/O Consolidation and server virtualization
- Fibre Channel over Ethernet (FCoE)
- 10 Gigabit Ethernet
- 10 GbE High Performance Computer Clusters

# Extended Reach 10Gig™ SFP+ Direct Attach Active Copper Cable Assemblies

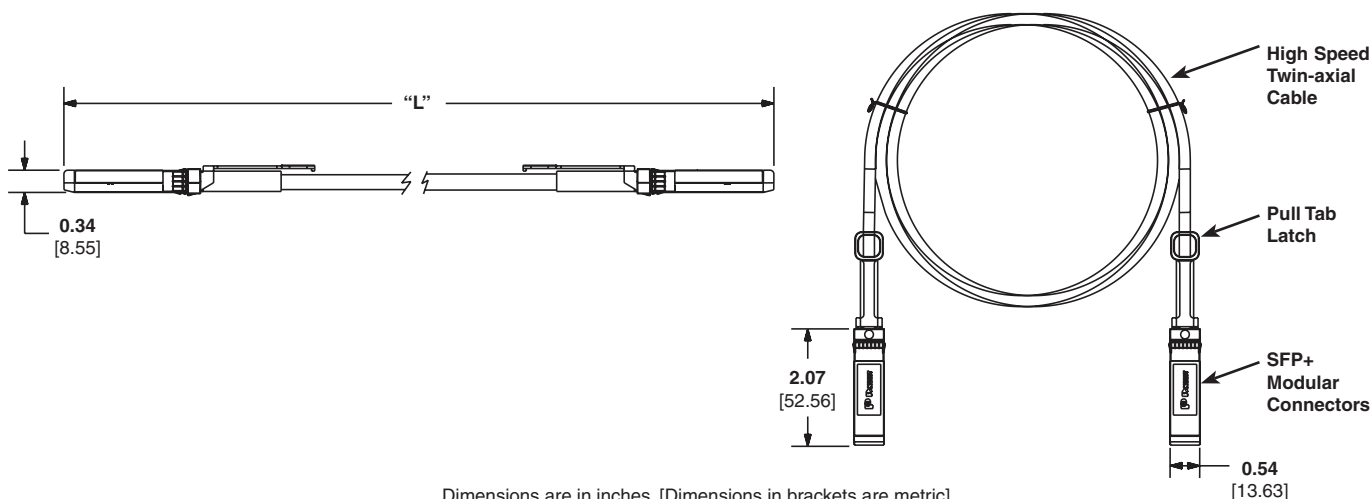
## Technical/Performance Information

<b>Characteristic impedance</b>	100 +/- 5 Ω
<b>Operating temperature</b>	0°C to 70°C (32°F to 158°F)
<b>Non-operating temperature</b>	-40°C to 85°C (-40°F to 185°F)
<b>IEC flame compliance</b>	IEC 60332-3-24
<b>Bend radius</b>	5 x O.D. single time, 10 x O.D. repeated times
<b>Insertion force to cage</b>	18N (4 lbf.) maximum
<b>Withdrawal force from cage</b>	12.5N (2.8 lbf.) maximum
<b>Retention force</b>	90 – 170 N (20 – 38 lbf.)
<b>ROHS status</b>	Compliant
<b>Durability</b>	250 mating cycles minimum
<b>Power per end</b>	0.5 W maximum

## Ordering Information

Part Number	Length (m)	Length (Ft.)	Cable Gauge	Cable Gauge		Cable Jacket
				mm	In.	
PSF1AXA3MBU	3	9.84	30 AWG	4.1	1.61	PVC
PSF1AXA5MBU	5	16.40	30 AWG	4.1	1.61	PVC
PSF1AXD7MBU	7	22.97	24 AWG	6	0.23	PVC
PSF1AXD8MBU	8	26.25	24 AWG	6	0.23	PVC
PSF1AXD9MBU	9	29.53	24 AWG	6	0.23	PVC
PSF1AXD10MBU	10	32.81	24 AWG	6	0.23	PVC

Note: For standard cable colors other than BU (Blue), replace BU in part number with WH (White), BL (Black), RD (Red), or GR (Green). Gray pull tab release represents an active SFP+ cable assembly.



### WORLDWIDE SUBSIDIARIES AND SALES OFFICES

PANDUIT US/CANADA  
cs@panduit.com  
Phone: 800.777.3300

PANDUIT EUROPE LTD.  
London, UK  
cs-emea@panduit.com  
Phone: 44.20.8601.7200

PANDUIT SINGAPORE PTE. LTD.  
Republic of Singapore  
cs-ap@panduit.com  
Phone: 65.6305.7575

PANDUIT JAPAN  
Tokyo, Japan  
cs-japan@panduit.com  
Phone: 81.3.6863.6000

PANDUIT LATIN AMERICA  
Guadalajara, Mexico  
cs-la@panduit.com  
Phone: 52.33.3777.6000

PANDUIT AUSTRALIA PTY. LTD.  
Victoria, Australia  
cs-aus@panduit.com  
Phone: 61.3.9794.9020

For a copy of Panduit product warranties, log on to [www.panduit.com/warranty](http://www.panduit.com/warranty)

For more information

Visit us at [www.panduit.com](http://www.panduit.com)

Contact Customer Service by email: [cs@panduit.com](mailto:cs@panduit.com)  
or by phone: 800.777.3300

**PANDUIT**®

©2015 Panduit Corp.  
ALL RIGHTS RESERVED.  
COCB04--WW-ENG  
Replaces WW-COCB23  
7/2015