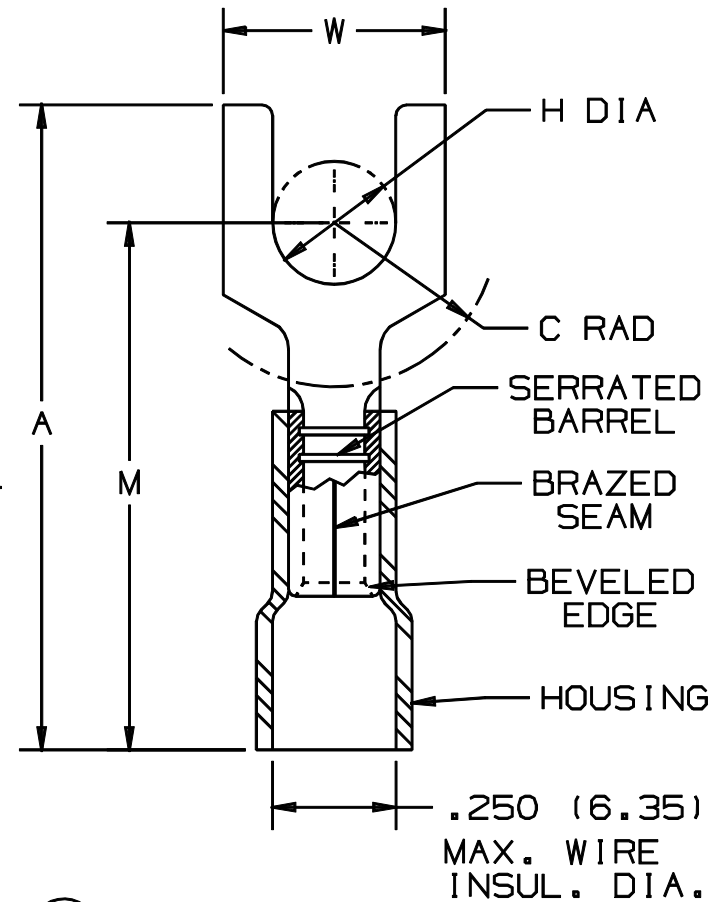


THIS COPY IS PROVIDED ON A RESTRICTED BASIS AND IS NOT TO BE USED IN ANY WAY DETRIMENTAL TO THE INTERESTS OF PANDUIT CORP.

PANDUIT PART NUMBER	STUD SIZE	DIMENSIONS in.				
		A $\pm .03$	W $\pm .01$	C MIN	M $\pm .03$	H $\pm .01$
PV10-8FX	#8	1.11 (28.19)	.37 (9.40)	.24 (6.10)	.88 (22.35)	.17 (4.32)
PV10-10FX	#10	1.11 (28.19)	.37 (9.40)	.24 (6.10)	.88 (22.35)	.20 (5.08)
PV10-14FX	1/4"	1.22 (30.99)	.50 (12.7)	.32 (8.13)	.97 (24.64)	.27 (6.86)

NOTES:

- UL LISTED AND CSA CERTIFIED FOR:
 - 600V. MAX. BLDG WIRE (1000 V. MAX IN SIGNS, FIXTURES & LUMINAIRES), AND 14-10 AWG SOLID OR STRANDED COPPER WIRE, & 221°F (105°C MAX) TEMP RATING WITH THE CT-550 INSTALLATION TOOLS #12 STR OR SOL & #10 STR W/ CT-1551, CT-1550 INSTALLATION TOOLS.
 - 300 V. MAX BLDG WIRE, 12-10 AWG SOLID OR STRANDED COPPER WIRE, & 167°F (75°C) MAX TEMP RATING WITH THE CT-100 INSTALLATION TOOLS.
- MATERIAL:
 - STAMPING - .04" (1.02) THK COPPER, TIN PLATED
 - HOUSING - VINYL, YELLOW
- STRIP LENGTH - 5/16 $\pm 1/32$.0
- PACKAGE QTY:
 - L=50
 - D=500
- DIMENSIONS IN BRACKETS ARE IN MILLIMETERS



A41259_06

06	1/01	RM		FILESPEC WAS N41259AA_PCD_05				<p>TINLEY PARK, ILLINOIS</p> <p>#12-10 BARREL VINYL INSULATED FORK, .250 (6.35) MAX WIRE INSUL. DIA.</p>
05		JKD		ADDED CT-1551 & CT-1550 TOOLS	07634			
4	9/94	MS	RLS	REVISED NOTES AND DIMENSIONS	02480	TJP	JM	
3	7-88	DW		REDRAWN WITH REVISIONS				
REV	DATE	BY	CHK	DESCRIPTION	ECN	CUST	PM	DRAWN BY DAW
								Ck'D SCALE NONE
								DRAWING NO. A41259