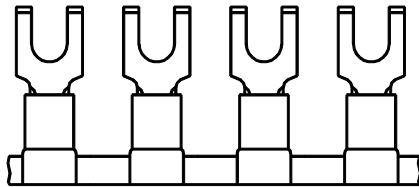


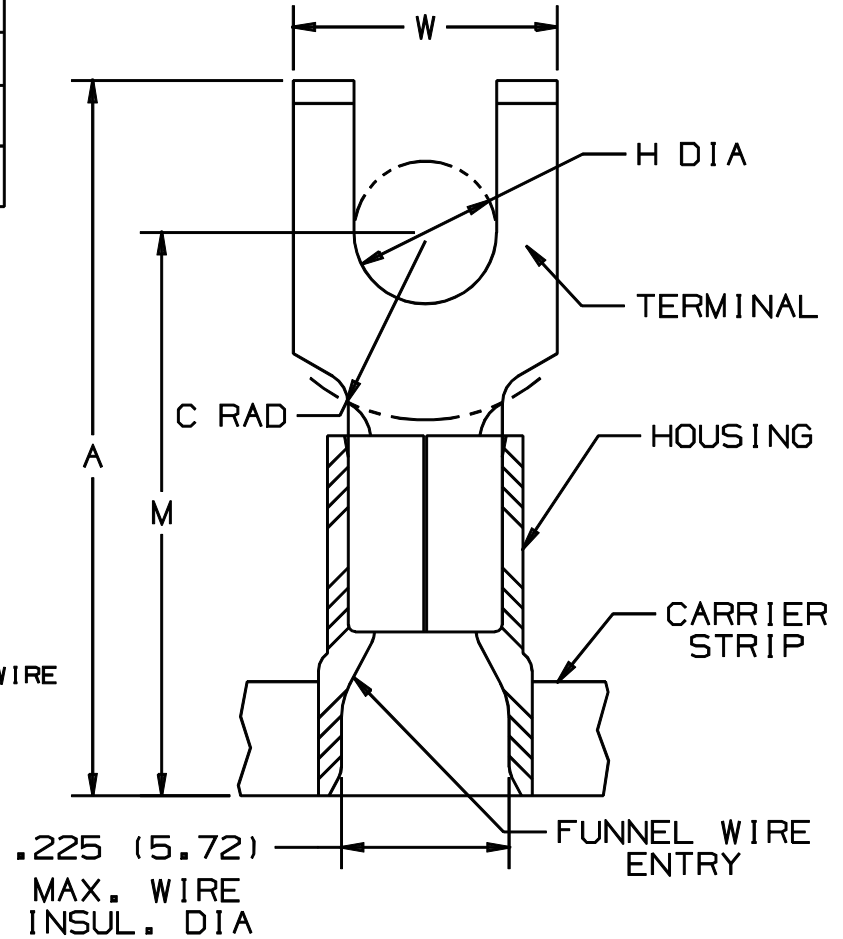
THIS COPY IS PROVIDED ON A RESTRICTED BASIS AND IS NOT TO BE USED IN ANY WAY DETRIMENTAL TO THE INTERESTS OF PANDUIT CORP.

| PANDUIT PART NUMBER | STUD SIZE | DIMENSIONS in. | | | | |
|------------------------|--------------|-----------------|---------------|---------------|----------------|---------------|
| | | A ±.020 | W ±.010 | C ±.015 | M ±.020 | H ±.010 |
| PV10-8FFB-2K | #8 | 1.03 (26.16) | .37 (9.40) | .22 (5.59) | .78 (19.81) | .17 (4.32) |
| PV10-10FFB-2K | #10 | 1.03 (26.16) | .37 (9.40) | .22 (5.59) | .78 (19.81) | .20 (5.08) |



NOTES :

- UL LISTED AND CSA CERTIFIED FOR :
 A. 600 V MAX. VOLTAGE RATING
 B. 221°F (105°C) MAX. TEMP. RATING
 C. #12-10 AWG (2.5-6.0 mm²) SOLID OR STRANDED, COPPER WIRE
- PACKAGE QTY. : 2K = 2000 PCS.
CONTINUOUS MOLDED CARRIER STRIP
- MATERIAL :
 A. STAMPING - .04" THK COPPER, TIN PLATED
 B. HOUSING - YELLOW VINYL
- DIMENSIONS IN BRACKETS ARE IN MILLIMETERS
- INSTALLATION TOOLS :
 A. PRESSES - CP-851, CP-860, CP-861
 B. APPLICATOR - CA-800
 C. DIE INSERTS - CD-800-3
- WIRE STRIP LENGTH: 11/32 ^{+1/32}/₋₀ (8.7 ⁺⁸/₋₀)



LISTED
587H
E52164



CERTIFIED
LR31212

A41076_02

| | | | | | | | | | | | | |
|-----|-------|----|-----|-------------|-------|------|---|--|-----------------|--------------|---------------|-----------------------|
| | | | | | | | | PANDUIT CORP. TINLEY PARK, ILLINOIS | | | | |
| 02 | 12/95 | ED | WJB | 03857 | LA | KS | TERMO 2PC CONTINUOUSLY MOLDED VINYL INSULATED, #12-10 BARREL, FLANGED FORKS | | | | | |
| 01 | 3/88 | FS | | | LA | KS | | | | | | |
| REV | DATE | BY | CHK | DESCRIPTION | ECN # | CUST | PM | APP | DRAWN BY FES | CHK'D WJB | SCALE NONE | DRAWING NO. A41076 |