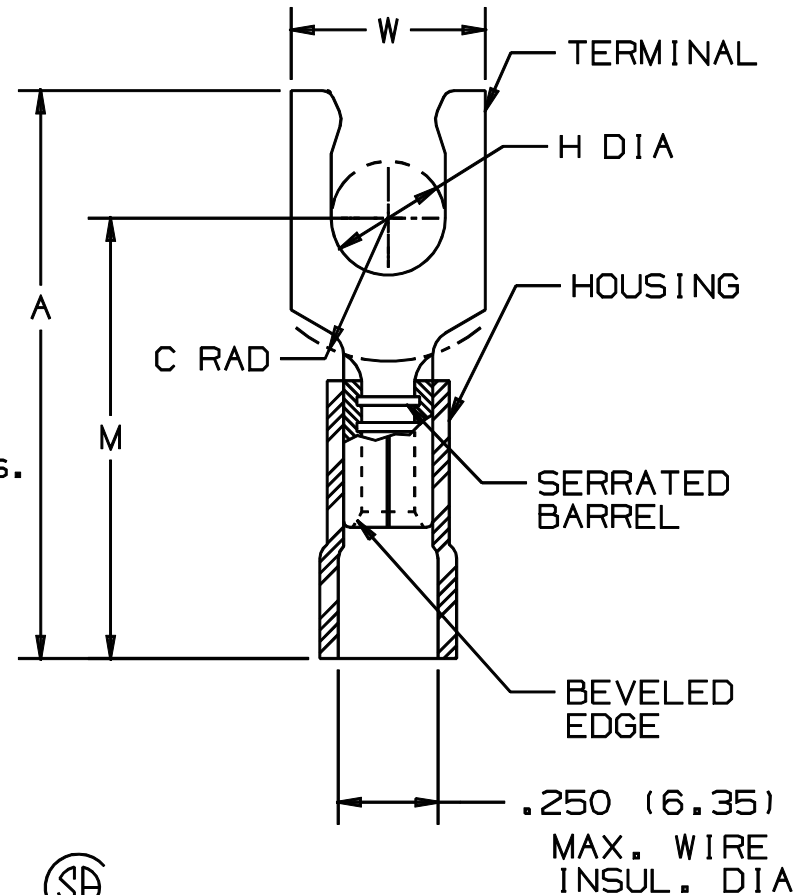


THIS COPY IS PROVIDED ON A RESTRICTED BASIS AND IS NOT TO BE USED IN ANY WAY DETRIMENTAL TO THE INTERESTS OF PANDUIT CORP.

PANDUIT PART NUMBER	STUD SIZE	DIMENSIONS in.				
		A $\pm .03$	W $\pm .01$	C MIN	M $\pm .03$	H $\pm .01$
PV10-6LFX	#6	1.09 (27.69)	.30 (7.62)	.23 (5.84)	.85 (21.59)	.14 (3.56)
PV10-8LFX	#8	1.12 (28.45)	.30 (7.62)	.23 (5.84)	.86 (21.84)	.16 (4.06)
PV10-10LFX	#10	1.12 (28.45)	.34 (8.64)	.23 (5.84)	.86 (21.84)	.19 (4.83)
PV10-14LFX	1/4"	1.25 (31.75)	.46 (11.68)	.32 (8.13)	.97 (24.64)	.25 (6.35)

NOTES:

- UL LISTED AND CSA CERTIFIED FOR:
A. 600V. MAX. BLDG WIRE
(1000 V. MAX IN SIGNS, FIXTURES & LUMINAIRES),
AND 12-10 AWG STRANDED COPPER WIRE ONLY
& 221°F (105°C MAX) TEMP RATING
WITH THE CT-550, CT1550 & CT1551 INSTALLATION TOOLS.
- MATERIAL:
A. STAMPING - .04" (1.02) THK COPPER, TIN PLATED
B. HOUSING - VINYL, YELLOW
- STRIP LENGTH - 5/16 $\pm \frac{1}{32}$
- PACKAGE QTY:
-L=50
-D=500
- DIMENSIONS IN BRACKETS ARE IN MILLIMETERS



LISTED
587H
E52164



CERTIFIED
LR31212

A41224_06

06	1/01	KMD		CAD FILE SPEC. WAS N41224AA_PCD_05					<p>TINLEY PARK, ILLINOIS</p> <p>#12-10 BARREL VINYL INSULATED LOCKING FORK, .250 (6.35) MAX. INSULATION DIAMETER</p>			
05	1/97	JAMB		UPDATE NOTES	05449							
04	9/94	MS	RLS	REVISED NOTES AND DIMENSIONS	02481	TJP	JM					
03	7-88	DW		REDRAWN WITH REVISIONS								
REV	DATE	BY	CHK	DESCRIPTION	ECN	QA	CUST	PM	DRAWN BY DAW	Ck'D 	SCALE NONE	DRAWING NO. A41224