


Current refinements (click  to remove)

[Search Tips](#) 
 [Region](#)  [USA](#)  [Product Family](#)  [Pin Terminal, Vinyl Insulated – Funnel Entry](#)  [Text Search: 'PV10-P55-L'](#)
**Your search criteria matched only one product, shown below.**


- Solid pin designed to prevent damage to the wire from over tightening, resulting in a reliable electrical connection
- Insulation support helps to prevent wire damage in bending applications
- Brazed seam protects terminal barrel from splitting during the crimp process
- Internal barrel serrations assure good wire contact and maximum tensile strength
- UL rated up to 600 V per UL 486 (18 and 14 gage only)
- For use with pin-type terminal blocks

Part Number:	PV10-P55-L
RoHS Compliancy Status:	Compliant
Part Description:	Pin Terminal, 12 – 10 AWG, vinyl insulated, .55 pin length.
Product Type:	Disconnects
Length (In.):	1.10
Width (In.):	.10
Max. Ins.:	.250
Panduit Color Code:	Yellow
Pin Length (In.):	.55
Tool:	CT-100A, CT-260, CT-1550, CT-1551, CT-2500
Wire Range:	12 – 10 AWG
Min. Order UOM:	PC
Min. Order Qty.:	50
BOM Qty. (# of Pkgs.)	
Add to My Catalog	

 Please [register](#) to utilize the 'Bill of Materials', 'Submit Quotes' and 'My Catalog' features.

[View Content Details](#)

Evaluate

Design a Solution

Install &amp; Maintain

Part Drawings:

 [Pin Terminals, Vinyl Insulated - Funne...](#)

Design a Solution

Part Drawings:

 [Pin Terminals, Vinyl Insulated - Funnel Entry pdf](#)

THIS COPY IS PROVIDED ON A RESTRICTED BASIS AND IS NOT TO BE USED IN ANY WAY DETRIMENTAL TO THE INTERESTS OF PANDUIT CORP.

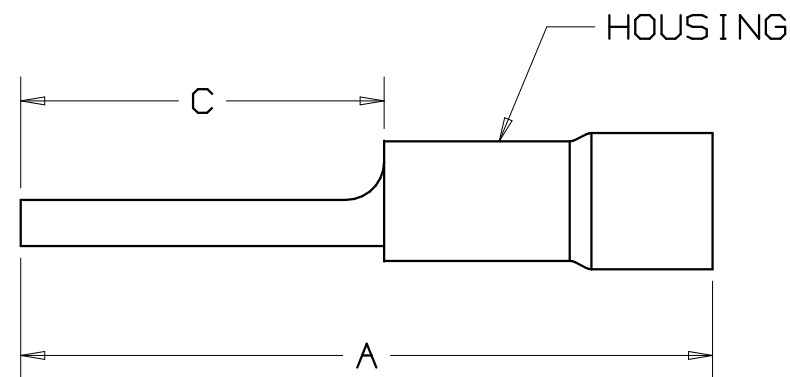
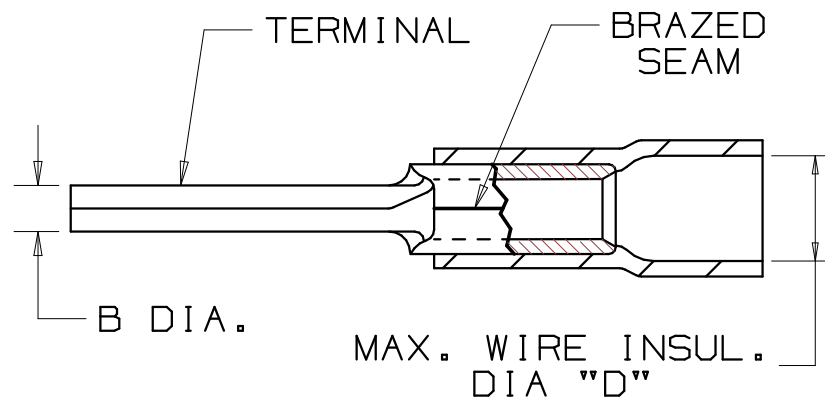
PANDUIT PART NUMBER		WIRE SIZE AWG	DIMENSIONS in.				HOUSING COLOR
PREFIX	PK		A $\pm .03$ ( $\pm .8$ )	B DIA. $\pm .01$ ( $\pm .3$ )	C $\pm .02$ ( $\pm .3$ )	D DIA.	
PV18-P47*	-C -M -MY	22-18 (.5-1.0)	.97 (24,6)	.07 (1,8)	.49 (12,4)	.15 (3,8)	RED
PV14-P47*	-C -M	16-14 (1.5-2.5)	.97 (24,6)	.07 (1,8)	.49 (12,4)	.17 (4,3)	BLUE
PV10-P55	-L -D	12-10 (4,0-6,0)	1.10 (27,9)	.10 (2,5)	.55 (14,0)	.25 (6,35)	YELLOW

NOTES:

- RECOMMENDED FOR:
  - SOLID OR STRANDED COPPER WIRE
- MATERIAL:
  - STAMPING - COPPER, TIN PLATED
  - HOUSING - VINYL, COLOR CODED
- PACKAGE QTY: STD. PKG. -L=50, -C=100  
BULK PKG. -D=500, -M=1000, -MY=1000
- DIMENSIONS IN BRACKETS ARE IN mm or mm<sup>2</sup>

A. PANDUIT APPROVED: CT-100, CT-160,  
CT-250, CT-550, CT-500 (EXCEPT PV10-P55)  
CT-1550, CT-1551

6. WIRE STRIP LENGTH 5/16  $^{+1/32}_{-0}$  (7,9  $^{+.8}_{-0}$ )



RU

\* RECOGNIZED  
E52164

08	6/06	DAW	DAW	ADDED UL RECOGNIZED MARKING FOR PV18-P47 AND PV14-P47	TRO0142		
07	5/05	JHNL	--	ADDED PACKAGING CODE "MY" TO DRAWING.	----	--	--
06	5/02	DAW	SKB	MAX. WIRE INSUL. DIA "D" WAS "D" DIA. MIN.	10219	TRO	LA
05	5/01	KMD	SKB	DIM. "A" WAS 1.01 (25,8) FOR PV18-P47	09177	TRO	JAC
04	3/01	EJS	SKB	WIRE RANGE FOR PART PV18-P47 WAS (.5-1.5), PV14-P47 WAS (2,0-2.5)	09177	TRO	JAC
03	2/99	WB	SKB	UPDATED NOTES AND DIMENSIONS	07530	TRO	JCJ
REV	DATE	BY	CHK	DESCRIPTION	ECN	PM	CUST

A41335\_08

**PANDUIT** CORP.

TINLEY PARK, ILLINOIS

VINYL INSULATED PIN TERMINAL

DRAWN BY DAW CHK'D RLS SCALE NONE DRAWING NO. A41335