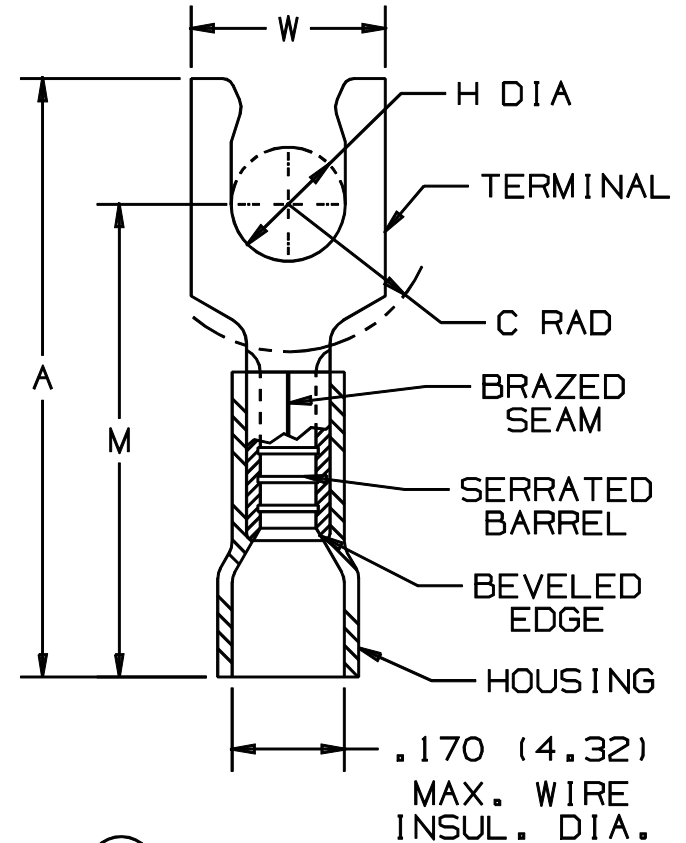


THIS COPY IS PROVIDED ON A RESTRICTED BASIS AND IS NOT TO BE USED IN ANY WAY DETRIMENTAL TO THE INTERESTS OF PANDUIT CORP.

PANDUIT PART NUMBER	STUD SIZE	DIMENSIONS in.				
		A ±.03	W ±.01	C ±.02	M ±.03	H ±.01
PV14-6LF	#6	.90 (22.86)	.25 (6.35)	.22 (5.59)	.68 (17.27)	.14 (3.56)
PV14-6LFW	#6	.90 (22.86)	.29 (7.37)	.22 (5.59)	.68 (17.27)	.14 (3.56)
PV14-8LF	#8	.97 (24.64)	.29 (7.37)	.25 (6.35)	.73 (18.54)	.16 (4.06)
PV14-10LF	#10	.97 (24.64)	.33 (8.38)	.25 (6.35)	.73 (18.54)	.19 (4.83)
PV14-10LFN	#10	.97 (24.64)	.29 (7.37)	.25 (6.35)	.73 (18.54)	.19 (4.83)

NOTES:

1. UL LISTED & CSA CERTIFIED FOR
 - A. 600 V. MAX. VOLTAGE RATING (1000 V. MAX. IN SIGNS, FIXTURES AND LUMINAIRES.)
 - B. 18-14 AWG SOLID OR STRANDED COPPER WIRE & 221°F (105°C) MAX TEMP RATING, WITH THE CT-500 & CT-550, CT-1550, CT-1551 INSTALLATION TOOLS.
 - C. 16-14 AWG SOLID OR STRANDED COPPER WIRE & 167°F (75°C) MAX TEMP RATING WITH THE CT-100 INSTALLATION TOOLS.
2. MATERIAL:
 - A. STAMPING - .032 (.81) THK COPPER, TIN PLATED
 - B. HOUSING - VINYL, BLUE
3. STRIP LENGTH 5/16 ^{+1/32} -0
4. PACKAGE QTY.: -C=100/-M=1000
5. DIMENSIONS IN BRACKETS ARE IN MILLIMETERS



LISTED
587H
E52164



CERTIFIED
LR31212

A41296_09

09	1-01		RM	FILESPEC WAS N41296AA_PCD_08				<p>TINLEY PARK, ILLINOIS</p> <p>#16-14 BARREL FUNNELED VINYL INSULATED LOCKING FORK, .175 (4.45) MAX. WIRE INSULATION DIAMETER</p>								
08			JKD	ADDED CT-1550 & CT-1551	07634											
7	1-95	MC	RLS	UPDATED NOTES AND DIMENSIONS	02896	LCA	TFKE									
6	8-88	DW		REDRAWN WITH REVISIONS			JRB									
REV	DATE	BY	CHK	DESCRIPTION	ECN #	CUST	PM	<table border="0"> <tr> <td>DRAWN BY</td> <td>CHK'D</td> <td>SCALE</td> <td>DRAWING NO.</td> </tr> <tr> <td>DAW</td> <td>CJH</td> <td>NONE</td> <td>A41296</td> </tr> </table>	DRAWN BY	CHK'D	SCALE	DRAWING NO.	DAW	CJH	NONE	A41296
DRAWN BY	CHK'D	SCALE	DRAWING NO.													
DAW	CJH	NONE	A41296													