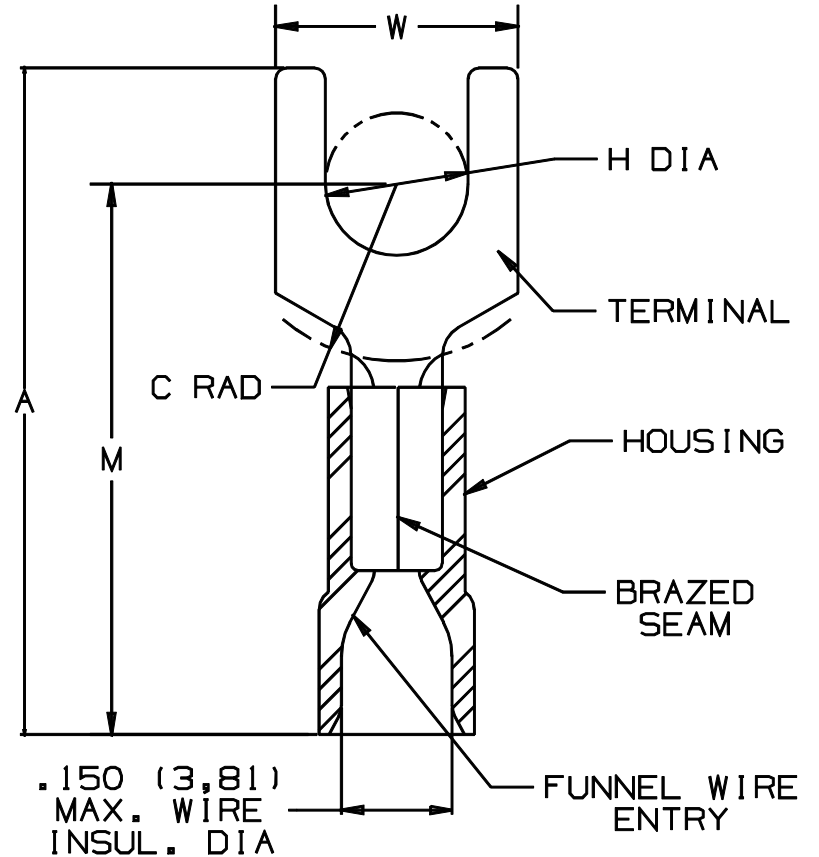


THIS COPY IS PROVIDED ON A RESTRICTED BASIS AND IS NOT TO BE USED IN ANY WAY DETRIMENTAL TO THE INTERESTS OF PANDUIT CORP.

PANDUIT PART NUMBER	STUD SIZE	DIMENSIONS in.				
		A ±.03	W ±.01	C ±.02	M ±.03	H ±.01
PV18-6F	#6	.86 (21,8)	.30 (7,6)	.21 (5,3)	.69 (17,5)	.15 (3,8)
PV18-6FN*	#6	.85 (21,6)	.24 (6,1)	.21 (5,3)	.69 (17,5)	.15 (3,8)
PV18-8F	#8	.93 (23,6)	.32 (8,1)	.25 (6,4)	.73 (18,5)	.17 (4,3)
PV18-10F	#10	.93 (23,6)	.35 (8,9)	.25 (6,4)	.75 (19,1)	.20 (5,1)
PV18-10FN*	#10	.93 (23,6)	.31 (7,9)	.25 (6,4)	.75 (19,1)	.20 (5,1)

**Notes:**

- Used for:
  - 600 max voltage rating (1000 V. max in signs, fixtures, & luminaries)
  - #22-16 AWG Solid or stranded copper wire range, 221°F (105°C) max temp rating with CT-1550, CT-1551 installation tools
  - #22-18 AWG Solid or stranded copper wire range, 167°F (75°C) max temp rating with CT-100 installation tool
- Wire strip length: 5/16 <sup>+1/32</sup> <sub>-0</sub> (7,9 <sup>+0,8</sup> <sub>-0</sub>)
- Package Quantity (Suffix to basic part no.):
  - Standard -C=100
  - Bulk -M=1000
- Material:
  - Stamping: .032 (.81) thick tin plated copper
  - Housing: Red vinyl
- Dimensions in brackets are in millimeters



\* PV18-6FN and PV18-10FN are not UL listed or CSA certified.



LISTED  
587H  
E52164



CERTIFIED  
LR31212

A41194\_05

05	1/01	KMD		CAD FILE SPEC. WAS N41194AA_PCD_04				
04	11/00	EJS		MAX. WIRE INSUL. DIA. WAS .159, REMOVED TOOLS CT-500, CT-550, REMOVED OBSOLETE PART PV18-14F, UPDATED NOTE 1-A TO 1000 V. MAX IN SIGNS, FIXTURES & LUMINARIES, ADDED NOTE *.	08839			
03	5/99	JKD	SKB	ADDED CT-1551 & CT-1550 TOOLS	07634	JW	TRO	
02	1/95	MS	RLS	UPDATED NOTES AND DIMENSIONS	02842	LA	TFKE	
01	3/91	DL	DL	TANG WIDTH INCREASED PART NO PV18-6F, PV18-8F, PV18-10F		LA	KS	
REV	DATE	BY	CHK	DESCRIPTION	ECN #	CUST	PM	

**PANDUIT** CORP.

TINLEY PARK, ILLINOIS

2PC. VINYL INSULATED,  
#22-18 BARREL, FORKS

DRAWN BY	CHK'D	SCALE	DRAWING NO.
FES	FS	NONE	A41194