

THIS COPY IS PROVIDED ON A RESTRICTED BASIS AND IS NOT TO BE USED IN ANY WAY DETRIMENTAL TO THE INTERESTS OF PANDUIT CORP.

| Part number |          | STUD SIZE | Maximum insulation diameter | DIMENSIONS in. |               |              |               |
|-------------|----------|-----------|-----------------------------|----------------|---------------|--------------|---------------|
| Prefix      | PK       |           |                             | A ±.03 (.8)    | W ±.010 (.25) | C MIN        | G ±.03 (.8)   |
| PV18-6FF    | -C<br>-M | #6        | .150<br>(3,81)              | .87<br>(22,1)  | .28<br>(7,1)  | .19<br>(4,8) | .71<br>(18,0) |
| PV18-8FF    | -C<br>-M | #8        |                             | .94<br>(23,9)  | .31<br>(7,9)  | .23<br>(5,8) | .75<br>(19,1) |
| PV18-10FF   | -C<br>-M | #10       |                             | .93<br>(23,6)  | .35<br>(8,9)  | .23<br>(5,8) | .75<br>(19,1) |

**Notes:**

**1. Used for:**

- A. 600 max voltage rating
- B. #22-16 AWG Solid or stranded copper wire range, 221°F (105°C) max temp rating with CT-1551, CT-1550 installation tools.
- C. #22-18 AWG Solid or stranded copper wire range, 167°F (75°C) max temp rating with CT-100 installation tool

**2. Wire strip length:** 5/16 <sup>+1/32</sup> -0 (7.9 <sup>+0.8</sup> -0)

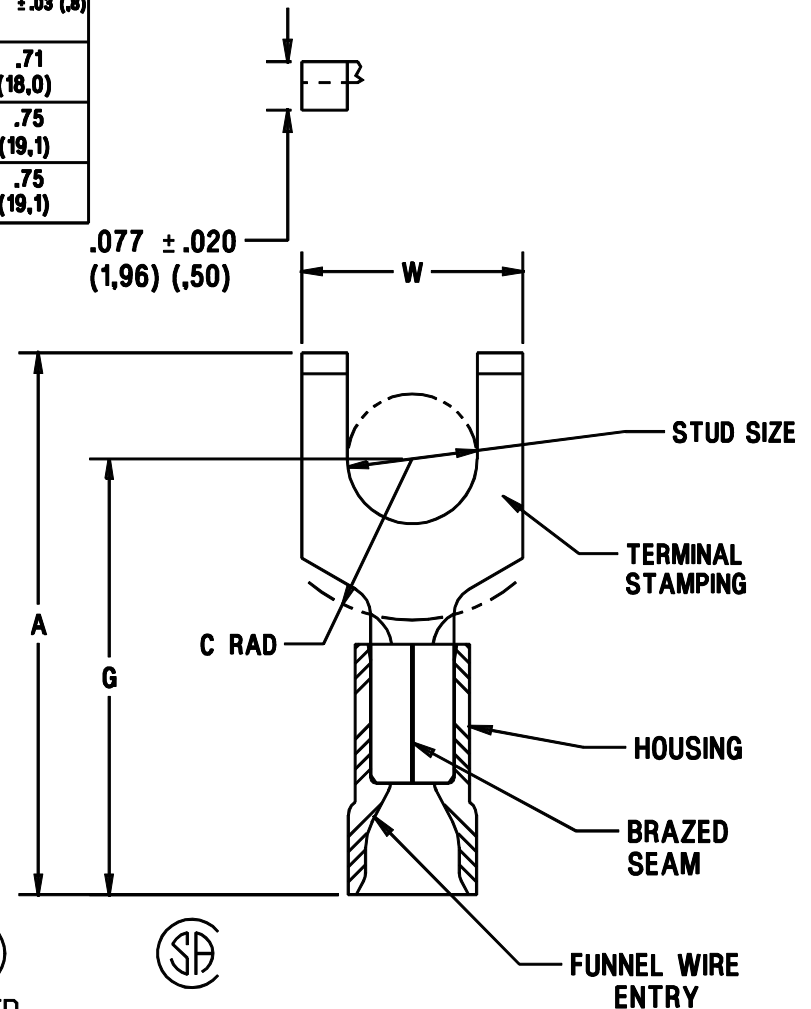
**3. Package Quantity (Suffix to basic part no.):**

- A. Standard -C=100
- B. Bulk -M=1000

**4. Material:**

- A. Stamping: .032 (.81) thick tin plated copper
- B. Housing: Red vinyl

**5. Dimensions in brackets are in millimeters**



LISTED  
587H  
E52164



CERTIFIED  
LR31212

A41574\_04

|     |       |     |     |   |         |     |      |   |                             |            |                    |
|-----|-------|-----|-----|---|---------|-----|------|---|-----------------------------|------------|--------------------|
| 04  | 1/01  | RM  | SKB | FILESPEC WAS N41574AA_PCD_03                                | 08933   | CCH | JAC  |   | CORP. TINLEY PARK, ILLINOIS |            |                    |
| 03  | 11/00 | EJS |     | MAX. WIRE INSUL. DIA. WAS .140, REMOVED TOOLS CT-500,CT-550 | 08839   |     |      |   |                             |            |                    |
| 02  | 5/99  | JKD | SKB | ADDED CT-1551, & CT-1550 TOOLS                              | 07632   | TRO | JCJ  | VINYL INSULATED, #22-18 BARREL<br>FLANGED FORKS |                             |            |                    |
| 01  | 11/94 | MS  |     | ADDED UL/CSA APPROVAL SYMBOLS                               | 02638   | JJM | LA   |   |                             |            |                    |
| REV | DATE  | BY  | CHK | DESCRIPTION   | ECN NO. | PM  | CUST | DRAWN BY MS                                     | CHK'D                       | SCALE NONE | DRAWING NO. A41574 |