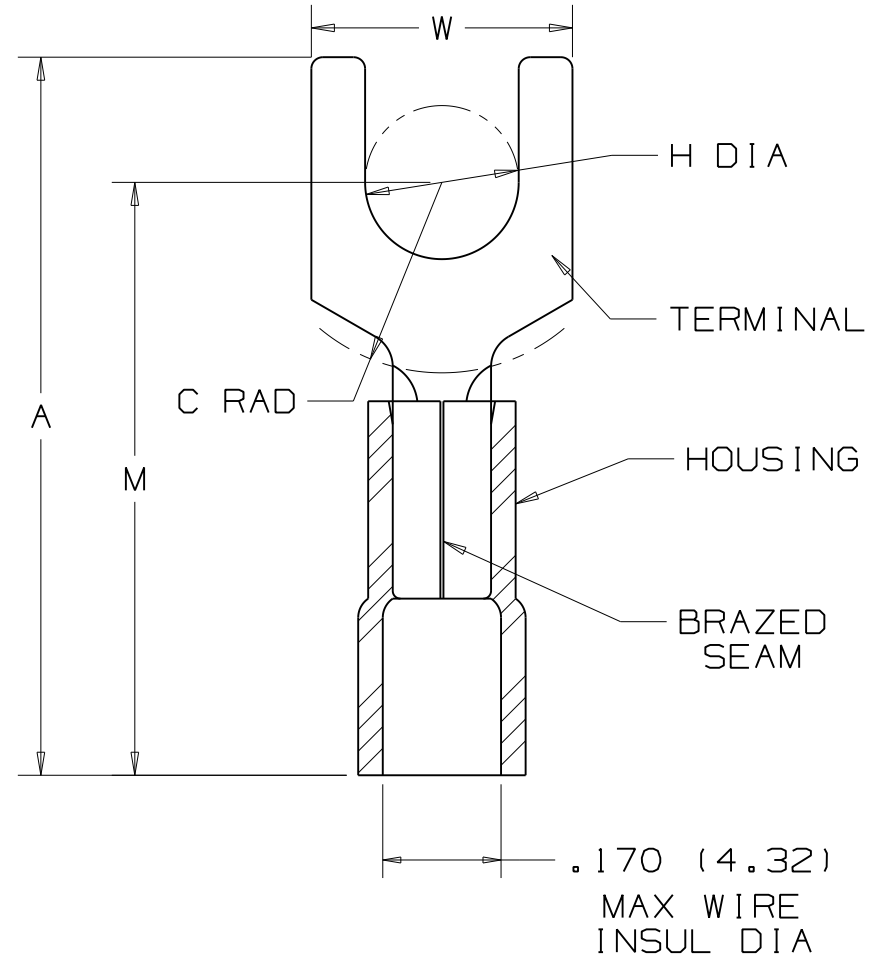


THIS COPY IS PROVIDED ON A RESTRICTED BASIS AND IS NOT TO BE USED IN ANY WAY DETRIMENTAL TO THE INTERESTS OF PANDUIT CORP.

PANDUIT PART NUMBER	STUD SIZE	DIMENSIONS in.				
		A	W	C	M	H
PV18-6FX	#6	.88 (22.35)	.30 (7.62)	.21 (5.33)	.69 (17.53)	.15 (3.81)
PV18-8FX	#8	.95 (24.13)	.32 (8.13)	.25 (6.35)	.73 (18.54)	.17 (4.32)
PV18-10FX	#10	.97 (24.64)	.35 (8.89)	.25 (6.35)	.75 (19.05)	.20 (5.08)



NOTES :

- UL LISTED AND CSA CERTIFIED FOR:
 - 600 V MAX. VOLTAGE RATING
 - 221°F (105°C) MAX. TEMP. RATING
 - #22-18 AWG SOLID OR STRANDED, COPPER WIRE
- SEE www.panduit.com
FOR PART NUMBER SUFFIX DESIGNATION FOR PACKAGE SIZE
- MATERIAL:
 - STAMPING - .032 (.81) THK COPPER, TIN PLATED
 - HOUSING - RED VINYL
- WIRE STRIP LENGTH: $5/16 \begin{matrix} +1/32 \\ -00 \end{matrix} (7.94 \begin{matrix} +.80 \\ -.00 \end{matrix})$
- DIMENSIONS IN BRACKETS ARE IN MILLIMETERS
- INSTALLATION TOOLS:
 - UL AND CSA APPROVED: CT-100,
 - UL AND CSA APPROVED FOR EXPANDED WIRE RANGE # 22-16AWG: CT-100A, CT-500, CT-500CH, CT-550, CT-550CH, CT-600-A, CT-1550, CT-1551, CT-2500, CT2550CH
 - PANDUIT APPROVED: CT-160, CT-260



LISTED
587H
E52164



CERTIFIED
LR31212

07	8/11	SHOR	NUMERICALLY ARRANGED INSTALLATION TOOLS
06	4/11	SRB	Removed PK column and changed Packaging note #2 referring package qty to Panduit website. Also added expanded wire range tools: CT-100A, CT-600A, CT-500CH, CT-550CH, CT-1550, CT-1551, CT-2500, CT-2550
REV	DATE	BY	DESCRIPTION

PANDUIT

CORP.

TINLEY PARK, ILLINOIS

#22-18 BARREL VINYL INSULATED
FORK .170 MAX WIRE INSUL DIA

DRAWN BY DRL	CHK'D	SCALE NONE	DRAWING NO. A41459
-----------------	-------	---------------	-----------------------