

THIS COPY IS PROVIDED ON A RESTRICTED BASIS AND IS NOT TO BE USED IN ANY WAY DETRIMENTAL TO THE INTERESTS OF PANDUIT CORP.

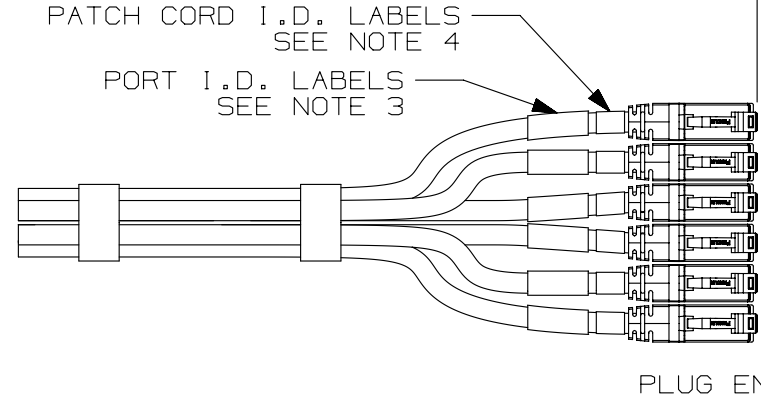
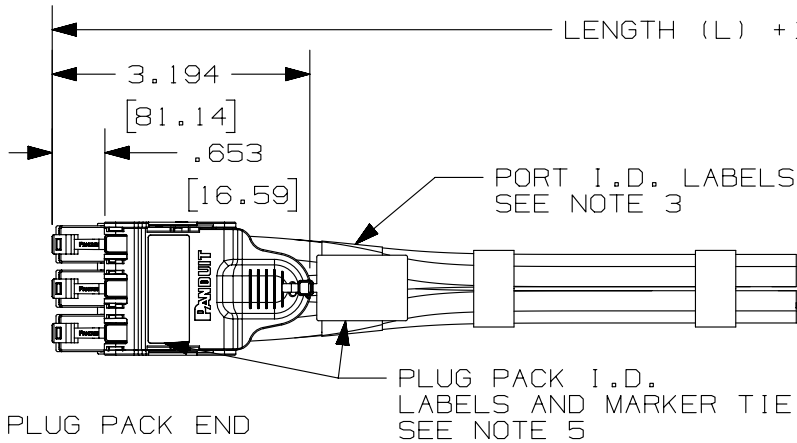
2

1

TABLE 1	
PLUG PACK	CUSTOMER DRAWING#
6-POSITION	02802-19
8-POSITION	02802-25
12-POSITION	02802-26
RECESSED	03073-06

NOTES:

- HARNESS IS AVAILABLE IN PLUG PACK/PLUG, AND PLUG/PLUG CONFIGURATIONS. SEE CHART ON SHEET 2 FOR PRODUCT OPTIONS
- PATCH CORDS ARE BUNDLED USING HLS VELCRO STRAPS AT 12" (305mm) SPACING.
- EACH PATCH CORD IS SEQUENTIALLY NUMBERED AT BOTH ENDS WITH PORT ID LABELS.
- PATCH CORD ID LABELS CONTAIN PATCH CORD PERFORMANCE, PART#, LENGTH(L), AND QC#.
- PLUG PACK ID LABELS AND PLFIMA MARKER TIES ARE INCLUDED FOR CUSTOMER APPLIED SWITCH AND PORT IDENTIFICATION. FOR PRINTABLE LABEL OPTIONS, REFER TO PANDUIT C125X030FJJ, C125X030YPT AND C125X030FJC.
- PATCH CORDS ARE 100% PERFORMANCE TESTED
- SEE CATALOG FOR OPTIONAL REMOVAL TOOL (QPRT) AND LOCK-IN DEVICE (QPPLD*)



6-CABLE ASSEMBLY
PLUG PACK TO
PLUG SHOWN

PART NUMBER	QPP*****	PRODUCT SPEC/PKG SPEC	N/A
I.I. NUMBER	N/A	WORK INSTRUCTION	N/A

TITLE	QUICKNET SWITCH PATCHING HARNESS
ITEM REVISION NAME	M02802EH/01
DATASET FILE NAME	M02802EH_DC31/01E

UNLESS OTHERWISE SPECIFIED, DIMENSIONAL TOLERANCES ARE: IN [mm]	MATERIAL:
.x ± .1 [2.54] .xx ± .01 [.25]	
.xxx ± .005 [.127] ANGLES ± 5 °	

THIRD ANGLE PROJECTION	DRAWING NUMBER:	02802-31			
DRAWN BY	DATE	CHK	SCALE	SHT 1 OF 2	SIZE
MDJr	10-25-07	WFMI	NONE		A

REV	DATE	BY	CHK	APR	DESCRIPTION	ECN
3	12-18-13	BJN	WFMI	TMBA	D. CHANGED DRAWING TITLE E. UPDATED MATRIX ON SH2 A. UPDATED NOTE 1. UPDATED NOTE 4 C. UPDATED NOTE 5 REVISED & REDRAWN PREVIOUS REVS REVD FOR CLARITY	02802-31

2

1

D10100DA/14

THIS COPY IS PROVIDED ON A RESTRICTED BASIS AND IS NOT TO BE USED IN ANY WAY DETRIMENTAL TO THE INTERESTS OF PANDUIT CORP.

QUICKNET SWITCH PATCHING ASSEMBLY MATRIX

QPP	A	C	B	A	B	03
QUICKNET SWITCH HARNESS TYPE	PERFORMANCE LEVEL	FLAME/SMOKE RATING	CABLE COLOR	PLUG PACK CONFIGURATION	PLUG PACK COLOR	PATCH CORD ASSEMBLY LENGTH IN FT/M
QPP QUICKNET PLUG TO PLUG HARNESS	A - CAT 6A (10Gig) UTP	C - CM	B - BLUE	A - 6 PACK	B - BLUE	03=3 FEET
	C - CAT 6 UTP	L - LOW SMOKE ZERO HALOGEN (LSZH)	W - WHITE	B - 12 PACK	W - WHITE	05=5 FEET
	D - CAT 5e UTP	D - DUAL RATING (MEETS BOTH CM AND LSZH)	G - INTERNATIONAL GRAY (FOR STP ONLY)	D - 8 PACK	R - RED	07=7 FEET
	E - CAT 6A (10Gig)/ CAT 6 STP		N - GREEN CABLE	R - RECESSED 6 PACK		10=10 FEET
	S - CAT 6 SD UTP (28AWG)		R - RED	P - TWO SIX PACKS ON 12 CABLE HARNESS	L - BLACK	14=14 FEET
	T - CAT 5e SD UTP (28AWG)		Y - YELLOW			S - TWO RECESSED SIX PACKS ON 12 CABLE HARNESS
	X - CAT 6A UTP MATRIX SD		O - ORANGE	6 - 6 CABLES (IF NO PLUG PACK)	X - NO PLUG PACK	2M=2 METERS
	Z - CAT 6A UTP MATRIX		V - VIOLET	8 - 8 CABLES (IF NO PLUG PACK)		3M=3 METERS
			L - BLACK	W - 12 CABLES (IF NO PLUG PACK)		4M=4 METERS
			A - GRAY (FOR UTP SD ONLY)			5M=5 METERS
					##=# FEET	
					#M=# METERS	

PART NUMBER	QPP*****	PRODUCT SPEC/PKG SPEC	N/A
I.I. NUMBER	N/A	WORK INSTRUCTION	N/A

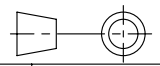
TITLE
QUICKNET SWITCH PATCHING HARNESS
CUSTOMER DRAWING

ITEM REVISION NAME
M02802EH/01

DATASET FILE NAME
M02802EH_DC31/01E



UNLESS OTHERWISE SPECIFIED, DIMENSIONAL TOLERANCES ARE: IN [mm]
 .x ± .1 [2.54] .xxx ± .005 [.127]
 .xx ± .01 [.25] ANGLES ± 5 °



THIRD ANGLE PROJECTION

MATERIAL:

DRAWING NUMBER:
02802-31

3	12-18-13	BJN	WFMI	TMBA	SEE SHEET 1 FOR REVISION HISTORY	02802-31
---	----------	-----	------	------	----------------------------------	----------

REV	DATE	BY	CHK	APR	DESCRIPTION	ECN	DRAWN BY	DATE	CHK	SCALE	SHT 2 OF 2	SIZE
							MDJr	10-25-07	WFMI	NONE		A

D10100DA/14