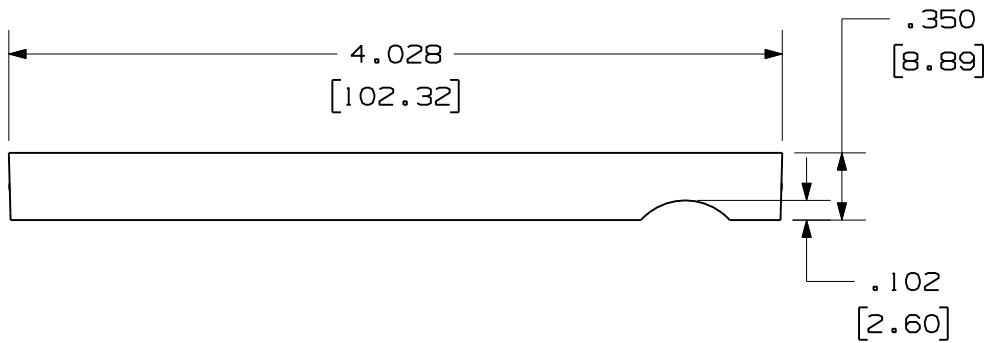
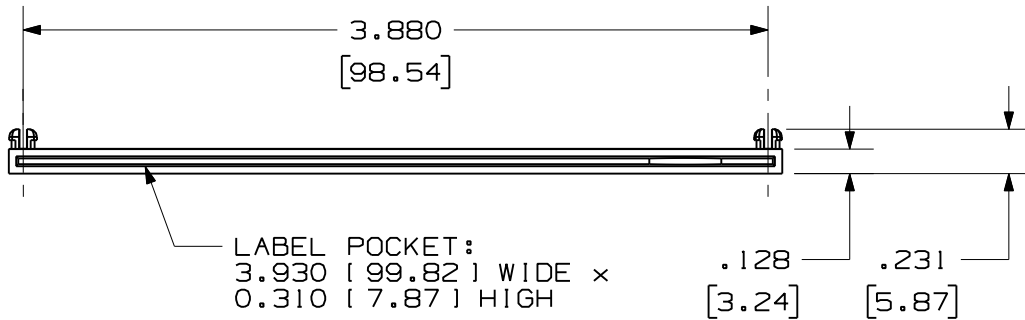
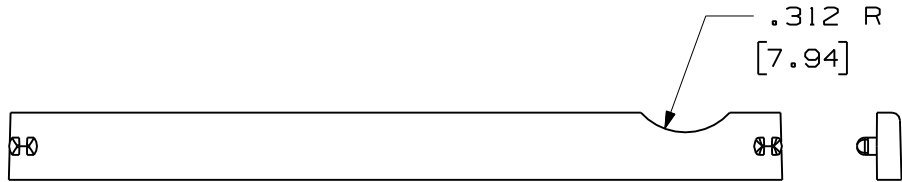


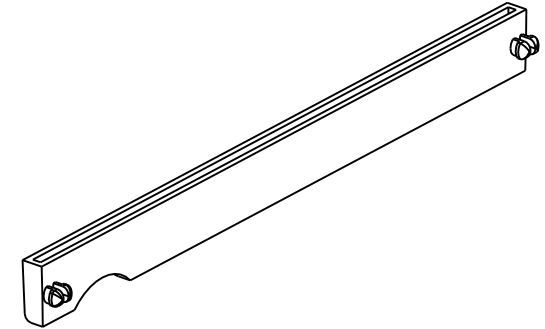
THIS COPY IS PROVIDED ON A RESTRICTED BASIS AND IS NOT TO BE USED IN ANY WAY DETRIMENTAL TO THE INTERESTS OF PANDUIT CORP.



PANDUIT PART NUMBER	WEIGHT (APPROX.)
QPPLC24	0.005 LBS (2.4g)

NOTES:

1. SEE CURRENT CATALOG FOR VARIOUS APPLICATIONS.
2. THE LABEL HOLDER IS DESIGNED FOR USE WITH QPP24BL AND QAPP24BL QUICKNET PATCH PANELS.
3. USE WITH THE FOLLOWING RECOMMENDED PANDUIT LABELS:
C390X030Y16 (THERMAL TRANSFER)
C390X030Y1J (LASER/INKJET)
C390X030Y1C (THERMAL TRANSFER)
4. DIMENSIONS SHOWN IN BRACKETS ARE IN METRIC.



MODEL FILENAME M02582BU_SIX_POS_LABEL HOLDER_03.PRT	SIZE A
DRAWING FILENAME M02582BU_DC47_03A.PRT	

QUICKNET LABEL HOLDER
CUSTOMER DRAWING

PANDUIT ™ CORP. TINLEY PARK, ILL 60477	I.I. NUMBER
	PRODUCT SPEC/ PKG SPEC

THIRD ANGLE PROJECTION	ALL DIMENSIONS ARE GIVEN IN INCHES, UNLESS OTHERWISE SPECIFIED. DIMENSIONAL TOLERANCES ARE: (.X) ±.03 (.XXX) ±.005 (.XX) ±.01 ANGLES ± 1°	ASSY METHOD/ TEST METHOD
	SCALE FULL	PART NO. QPPLC24
DRAWN BY 1-31-07	REVIEW DRAWING NUMBERS	DRAWING NO. 02582-47
DATE	MAT'L CLEAR POLYCARBONATE	
CHK'D WFMI		

REV	DATE	BY	CHK	DESCRIPTION	ECN	R	CUST	SUP	OTH
R	3-15-07	MDJr	WFMI	RELEASED TO PRODUCTION	02582-47			TRW	