

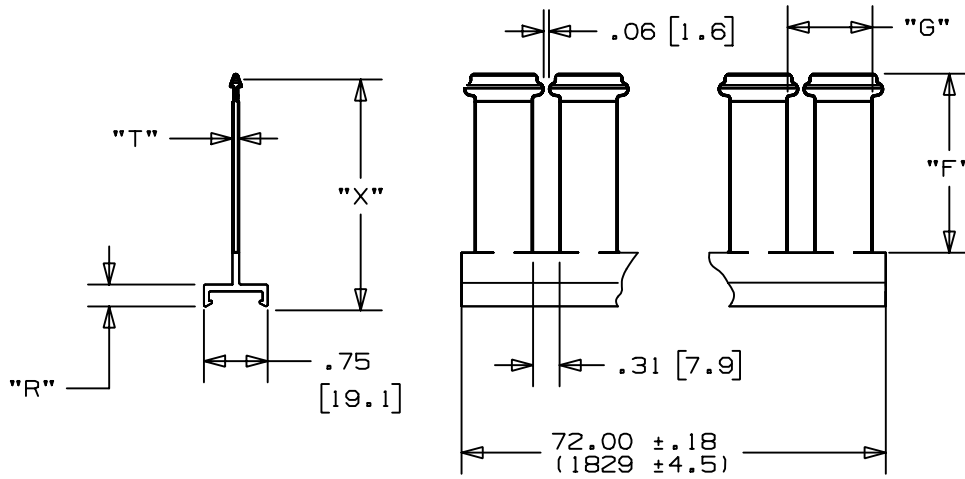
THIS COPY IS PROVIDED ON A RESTRICTED BASIS AND IS NOT TO BE USED IN ANY WAY DETRIMENTAL TO THE INTERESTS OF PANDUIT CORP.

△ B

PANDUIT P/N	"X"	"T"	"R"	"F"	"G"	WEIGHT
SD2H6	1.79 ±.03 (45.3 ±.8)	.07 ±.01 (1.7 ±.3)	.24 ±.03 (6.0 ±.7)	1.18 ±.03 (29.9 ±.8)	.8 ±.04 (2.0 ±1.0)	.077 LB/FT (.115 Kg/M)
SD3H6	2.74 ±.05 (69.7 ±1.3)	.09 ±.02 (2.1 ±.4)	.26 ±.03 (6.5 ±.7)	2.11 ±.03 (55.4 ±.8)	1.0 ±.04 (25.4 ±1.0)	.132 LB/FT (.197 Kg/M)
SD4H6	3.53 ±0.06 (89.8 ±1.5)	.11 ±.02 (2.8 ±.5)	.26 ±.03 (6.5 ±.7)	2.90 ±.03 (73.7 ±.8)	1.0 ±.04 (25.4 ±1.0)	.288 LB/FT (.429 Kg/M)

NOTES:

1. SEE CURRENT CATALOG FOR ADDITIONAL PART SUFFIXES TO INDICATE COLOR AND OR PACKAGE QUANTITY.
- △ 2. THIS PART IS INTENDED TO BE USED WITH MOUNTING BASE DB-C OR DBM-C IN ORDER TO SUCCEED AS A DIVIDER WALL APPLICATION.
3. DIMENSIONS IN PARENTHESES ARE METRIC.



△ C

CAD FILENAME/LAYERS D36089BG\_DC\_SDW\_02A.prt

PANDUIT CORP. TINLEY PARK, ILLINOIS  
 SLOTTED DIVIDER WALL FOR WIRING DUCT (SD2H6, SD3H6, SD4H6)  
 CUSTOMER DRAWING

UNLESS OTHERWISE SPECIFIED, DIMENSIONAL TOLERANCES ARE:  
 (.X) ± (.XXX) ±  
 (.XX) ±.03 (.8) ANGLES ±

UNLESS OTHERWISE SPECIFIED, ALL DIMENSIONS ARE GIVEN IN INCHES, THIRD ANGLE PROJECTION.

REV	DATE	BY	CHK	DESCRIPTION	ECN	CHK	CUST	SUP
2	4/12/04	JCST	JKG	C. MODIFIED TITLE B. MODIFIED CHART	36089-07	HIW	HIW	
1	12-10-98	DW	HIW	A. ADDED DBM-C TO NOTE 2.	36089-07	HIW	HIW	
R	7-23-97	DW	HIW	RELEASED TO PRODUCTION.	36089-07	HIW	HIW	

DRAWN BY DW  
 DATE 7-23-97  
 CHECKED BY HIW

MAT'L: PVC

SCALE NONE  
 DRAWING NO. 36089-07  
 DWG SIZE A