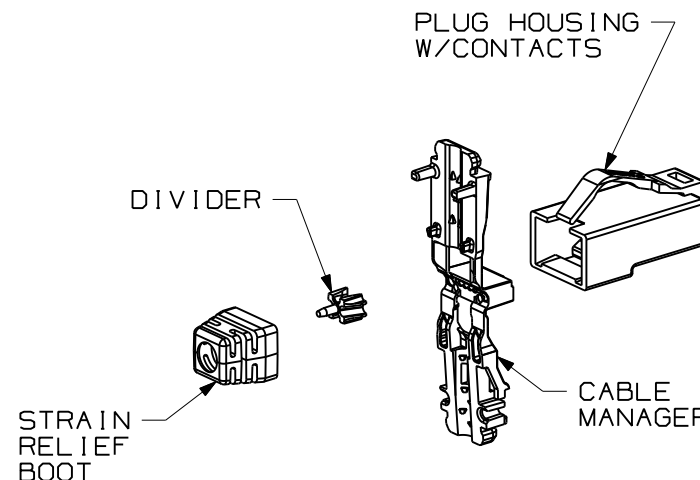
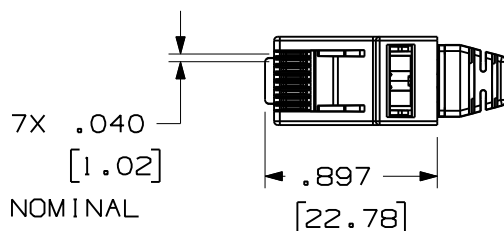
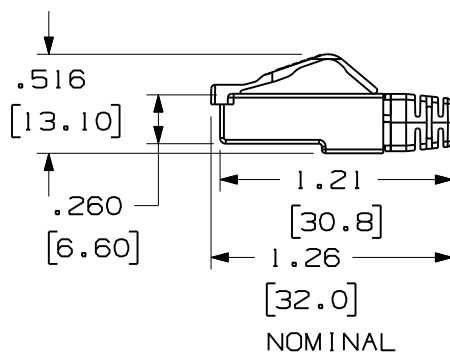
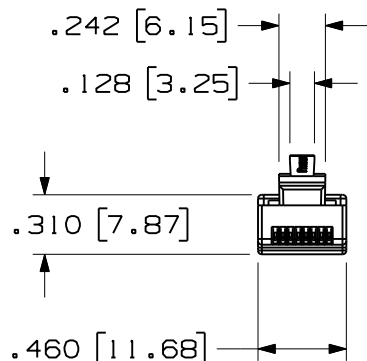
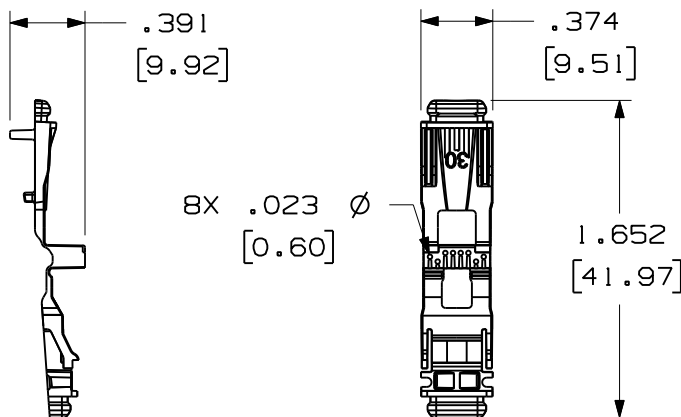


THIS COPY IS PROVIDED ON A RESTRICTED BASIS AND IS NOT TO BE USED IN ANY WAY DETRIMENTAL TO THE INTERESTS OF PANDUIT CORP.

PART NUMBER	WEIGHT
SP630-C	.045 LB/10 PCS (20.3 g/10 PCS)

NOTES:

- CATEGORY 6 UTP 30AWG MODULAR PLUG
- MATERIAL: HOUSING, ADAPTER, DIVIDER-THERMOPLASTIC UL94V-0 RATED; STRAIN RELIEF BOOT-CLEAR PVC; CONTACT TERMINAL-PHOSPHOR BRONZE ELECTROPOLISHED AND PLATED WITH .000050" MIN. GOLD IN CONTACT AREA, GOLD FLASH OVER REMAINDER, .000100" MIN NICKEL UNDERPLATE.
- PLUG ACCEPTS 4 PAIR CABLE .122"-.130" (3.1mm-3.3mm) DIAMETER WITH 30 AWG SOLID OR STRANDED CONDUCTORS WITH A MAXIMUM INSULATION DIAMETER OF .021"(.53mm).
- MEETS DIMENSIONAL REQUIREMENTS OF FCC PART 68 AND IEC 60603-7. ALL DIMENSIONS MAXIMUM UNLESS OTHERWISE SPECIFIED.
- TERMINAL CONTACT HEIGHT DIMENSION: .237±.005"(.60±.13mm) WITH PANDUIT CRIMP TOOL.
- c(UL)us LISTED, UL FILE NUMBER E129886.



MODEL FILENAME	11M280AB/00	SIZE	A
DRAWING FILENAME	11M280AB_DCO2/00A		
PAN-PLUG CATEGORY 6 30 AWG UTP MODULAR PLUG CUSTOMER DRAWING			
 TINLEY PARK, IL 60487		I.I. NUMBER	
		PRODUCT SPEC/ PKG SPEC	
 THIRD ANGLE PROJECTION		ASSY METHOD/ TEST METHOD	
		SCALE N/A	
ALL DIMENSIONS ARE GIVEN IN INCHES, UNLESS OTHERWISE SPECIFIED. DIMENSIONAL TOLERANCES ARE: (.X) ±.03 (.XXX) ±.005 (.XX) ±.01 ANGLES ± 1°		PART NO.	
DRAWN BY BJJ		SP630-C	
DATE 1-20-12		DRAWING NO.	
CHK'D JCO		11M280AB-02	

REV	DATE	BY	CHK	DESCRIPTION	ECN	R	CUST	SUP	OTH
I	5-29-12	BJJ	JCO	UPDATED	11M280AB-02	JCO	EJH		
R	1-20-12	BJJ	JCO	RELEASED TO PRODUCTION	11M280AB-02	JCO	EJH		