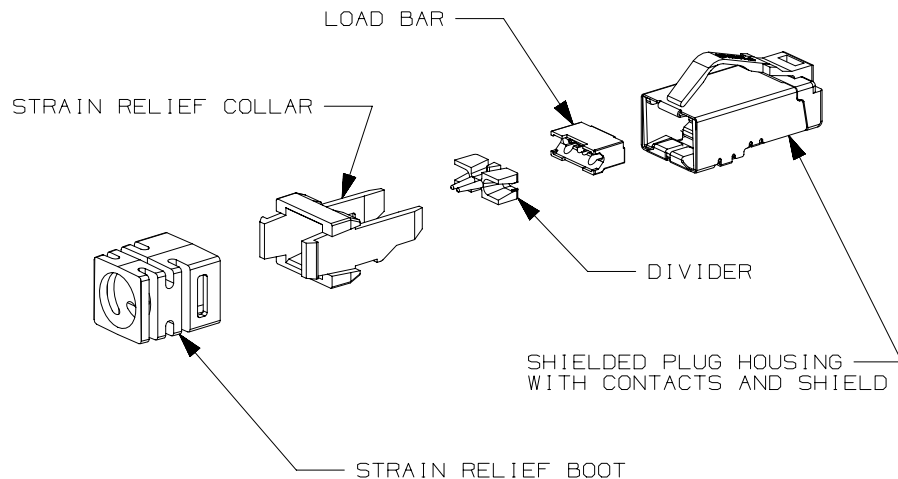
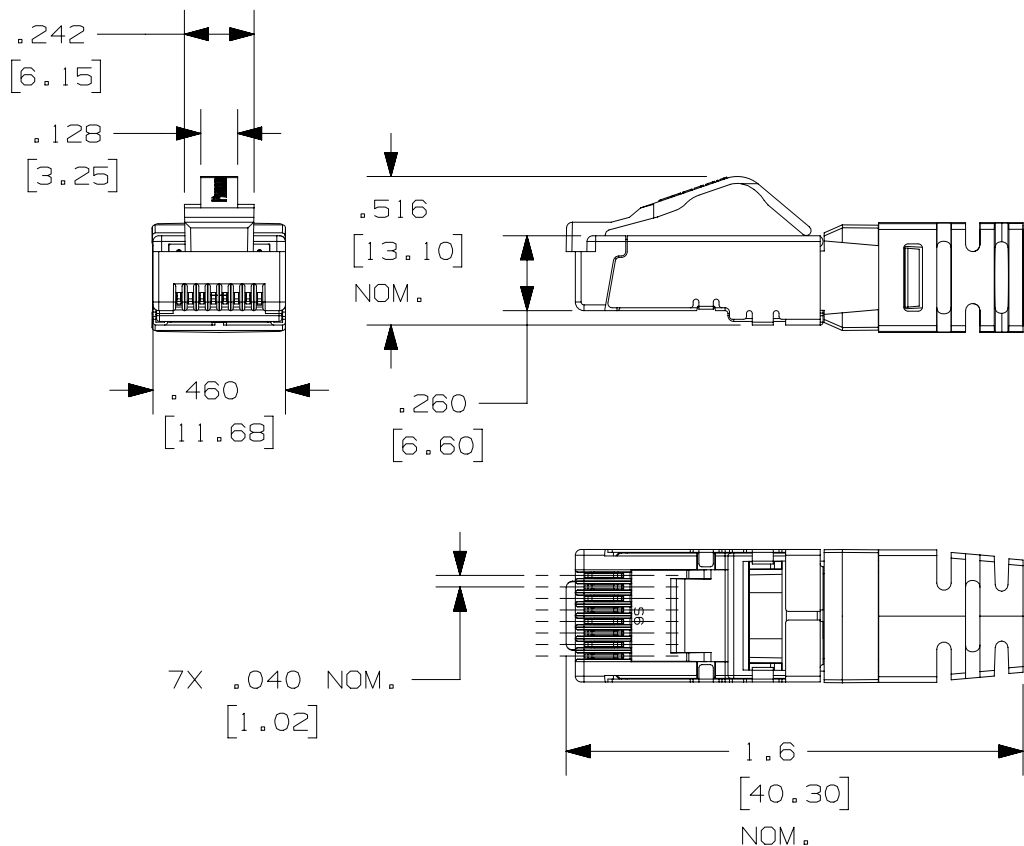


THIS COPY IS PROVIDED ON A RESTRICTED BASIS AND IS NOT TO BE USED IN ANY WAY DETRIMENTAL TO THE INTERESTS OF PANDUIT CORP.

PANDUIT P/N	WEIGHT
SPS6X88-C	.47 LB/100 PCS (214 g/100 PCS)



- NOTES:
1. TX6A SHIELDED MODULAR PLUG FOR USE WITH SHIELDED CATEGORY 6 OR CATEGORY 6A CABLES.
 2. MATERIAL: SHIELDED HOUSING, LOAD BAR, DIVIDER, STRAIN COLLAR - POLYCARBONATE UL94V-0 RATED; PLUG SHIELD - C26000 CARTRIDGE BRASS; STRAIN RELIEF BOOT - BLACK TPE; CONTACT TERMINAL - PHOSPHOR BRONZE ELECTRO-POLISHED AND PLATED WITH .000050" MIN. GOLD IN MATING AREA.
 3. PLUG ACCEPTS 4 PAIR CABLE WITH 23-24AWG SOLID AND STRANDED CONDUCTORS WITH A MAXIMUM OUTER JACKET OF .300" (7.62mm) AND MAXIMUM INSULATED CONDUCTOR DIAMETER OF .047" (1.19mm).
 4. MEETS DIMENSIONAL REQUIREMENTS OF ANSI/TIA-1096-A (FORMERLY FCC PART 68). ALL DIMENSIONS MAXIMUM UNLESS OTHERWISE SPECIFIED.
 5. TERMINATED CONTACT HEIGHT DIMENSION: .237±.005".
 6. DIMENSIONS IN PARENTHESIS ARE METRIC.



PART NUMBER		SPS6X88-C	
TITLE		TX6A SHIELDED MODULAR PLUG	
CUSTOMER DRAWING		PANDUIT	
ITEM REVISION NAME			
09M129BR/01		DRAWING NUMBER:	
DATASET FILE NAME		09M129BR-01	
UNLESS OTHERWISE SPECIFIED, DIMENSIONAL TOLERANCES ARE: IN (mm)		MATERIAL:	
.x ± .xxx ± .010 (.3)		SEE NOTES	
.xx ± .03 (.8) ANGLES ±		DRAWING NUMBER:	
THIRD ANGLE PROJECTION		09M129BR-01	
DRAWN BY	DATE	CHK	SCALE
MDJR	5-26-15	REFR	NONE
SHT 1 OF 1		SIZE	
A		A	

REV	DATE	BY	CHK	APR	DESCRIPTION	ECN
4	2-28-17	BJN	NAGL	TMBA	D. REVISED CABLE DIA. IN NOTE 3 TO .300", WAS .320" REVISED & REDRAWN PREVIOUS REVISIONS REMVD FOR CLARITY	09M129BR-01