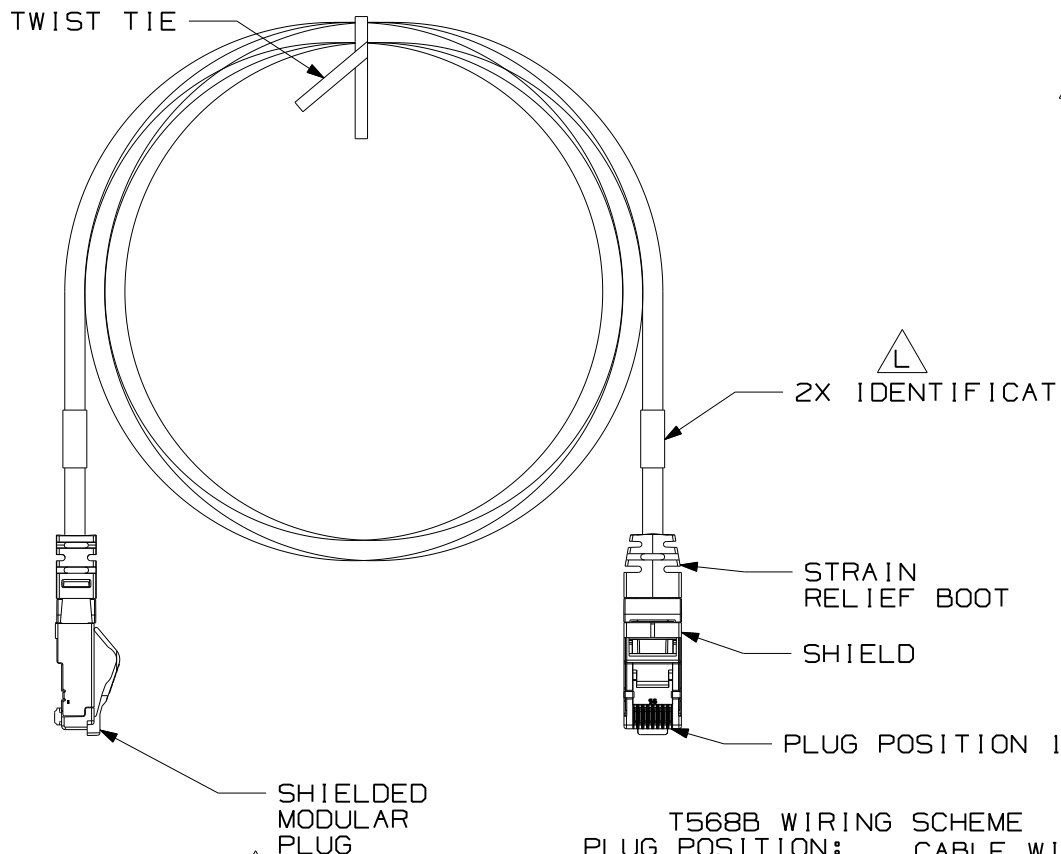


THIS COPY IS PROVIDED ON A RESTRICTED BASIS AND IS NOT TO BE USED IN ANY WAY DETRIMENTAL TO THE INTERESTS OF PANDUIT CORP.



NOTES:

- \*\*1. SEE CURRENT CATALOG FOR VARIOUS APPLICATIONS AND TO INDICATE COLOR AND OR PACKAGE QUANTITY.
- F 2. SEE CATALOG FOR A COMPLETE LIST OF PARTS APPLICABLE FOR USE WITH THIS PART.
- G 3. TERMINATED WITH (8 POSITION) SHIELDED MODULAR PLUGS AT BOTH ENDS PER T568B.
- 4. CONSTRUCTED WITH 26AWG STRANDED CAT6 FULLY SHIELDED, TWISTED PAIR LSZH/CM PATCH CABLE.
- 5. MATERIALS:  
 PLUG: POLYCARBONATE  
 PLUG SHIELD: PLATED CARTRIDGE BRASS  
 CABLE SHIELD: ALUMINUM  
 BOOT: TPE

E  
K


CABLE COLORS	** = COLOR
INTERNATIONAL GRAY	--
BLACK	BL
BLUE	BU
RED	RD
YELLOW	YL
GREEN	GR
ORANGE	OR
VIOLET	VL

T568B WIRING SCHEME  
 PLUG POSITION:  
 1  
 2  
 3  
 4  
 5  
 6  
 7  
 8

CABLE WIRE:  
 RED  
 ORANGE  
 BLACK  
 BLUE  
 WHITE  
 GREEN  
 YELLOW  
 BROWN

SEE SHEET 2 FOR PATCH CORD LENGTHS AND PART NUMBERS

REV	DATE	BY	CHK	DESCRIPTION	ECN	R	CUST	SUP	OTH
4	7-13-07	BJN	EJH	L. ADDED IDENTIFICATION LABELS	02085-01		REGA		
3	5-11-07	BJN	EJH	K. ADDED INT'L GRAY. REMVD OFF WHITE J. STP6X** WAS STP6XAAM**	02085-01		REGA		
2	4-23-07	BJN	EJH	I. ADDED CABLE LENGTHS J. ADDED MODULAR H. REMVD CATEGORY 6 & FOR 10G1G AP. F. ADDED NOTE 2 G. REVD NOTES 3-5 D. ADDED SH2 E. ADDED COLOR TABLE	02085-01		REGA		
1	12-15-04	MDJr	CEF	C. REVISED TITLE OF DRAWING. B. ADDED .5 METER CABLE. A. REMOVED 1.5, 4 AND 9 METER CABLES.	02085-01	CEF	CEF		CEF
R	11-29-04	MDJr	CEF	RELEASED TO PRODUCTION	02085-01	CEF		CEF	CEF

MODEL FILENAME M01438AA_SHLDPLUG_ASSY_26.PRT	SIZE A
DRAWING FILENAME M02085BA_DC01_26E.PRT	
TITLE TX6 10G1G SHIELDED PATCH CORD CUSTOMER DRAWING	
 <b>PANDUIT</b> <sup>R</sup> CORP. TINLEY PARK, IL 60477	
I.I. NUMBER	
PRODUCT SPEC	
WORK INSTRUCTION	
SCALE NONE	
PART NO. STP6X** <span style="border: 1px solid black; padding: 2px;">J</span>	
DRAWING NO. 02085-01 SHEET 1 OF 2	

ALL DIMENSIONS ARE GIVEN IN INCHES, UNLESS OTHERWISE SPECIFIED.

DIMENSIONAL TOLERANCES ARE:  
 (.X) ± (.XXX) ± .010  
 (.XX) ± ANGLE ±

THIRD ANGLE PROJECTION

DRAWN BY: MDJr  
 DATE: 8-29-02  
 CHK'D: CEF

REVIEW DRAWING NUMBERS

THIS COPY IS PROVIDED ON A RESTRICTED BASIS AND IS NOT TO BE USED IN ANY WAY DETRIMENTAL TO THE INTERESTS OF PANDUIT CORP.

TX6 10GIG SHIELDED PATCH CORDS

PANDUIT PART NUMBER	MIN. CABLE LENGTH	PANDUIT PART NUMBER	MIN. CABLE LENGTH
STP6X2**	2 FT.	STP6X0.5M**	0.5 METER
STP6X3**	3 FT.	STP6X1M**	1 METER
STP6X4**	4 FT.	STP6X1.5M**	1.5 METER
STP6X5**	5 FT.	STP6X2M**	2 METERS
STP6X6**	6 FT.	STP6X2.5M**	2.5 METER
STP6X7**	7 FT.	STP6X3M**	3 METERS
STP6X8**	8 FT.	STP6X4M**	4 METERS
STP6X9**	9 FT.	STP6X5M**	5 METERS
STP6X10**	10 FT.	STP6X6M**	6 METERS
STP6X11**	11 FT.	STP6X7M**	7 METERS
STP6X12**	12 FT.	STP6X8M**	8 METERS
STP6X13**	13 FT.	STP6X9M**	9 METERS
STP6X14**	14 FT.	STP6X10M**	10 METERS
STP6X15**	15 FT.	STP6X15M**	15 METERS
STP6X16**	16 FT.	STP6X20M**	20 METERS
STP6X17**	17 FT.	STP6X25M**	25 METERS
STP6X18**	18 FT.	STP6X30M**	30 METERS
STP6X19**	19 FT.	STP6X35M**	35 METERS
STP6X20**	20 FT.	STP6X40M**	40 METERS
STP6X25**	25 FT.		
STP6X30**	30 FT.		
STP6X35**	35 FT.		
STP6X40**	40 FT.		



MODEL FILENAME M01438AA_SHLDPUG_ASSY_26.PRT		SIZE A
DRAWING FILENAME M02085BA_DC01_26E.PRT		
TITLE TX6 10GIG SHIELDED PATCH CORD CUSTOMER DRAWING		
<b>PANDUIT</b> <sup>R</sup> CORP. TINLEY PARK, IL 60477		I.I. NUMBER
		PRODUCT SPEC
ALL DIMENSIONS ARE GIVEN IN INCHES, UNLESS OTHERWISE SPECIFIED. DIMENSIONAL TOLERANCES ARE: (.X) ±                    (.XXX) ± .010 (.XX) ±                    ANGLES ±		WORK INSTRUCTION
THIRD ANGLE PROJECTION		SCALE NONE
DRAWN BY MDJr	REVIEW DRAWING NUMBERS	PART NO. STP6X**
DATE 8-29-02		DRAWING NO. 02085-01
CHK'D CEF		SHEET 2 OF 2

4	7-13-07	BJN	EJH	SEE SHEET 1 FOR REVISIONS	02085-01	REGA			
REV	DATE	BY	CHK	DESCRIPTION	ECN	R	CUST	SUP	OTH