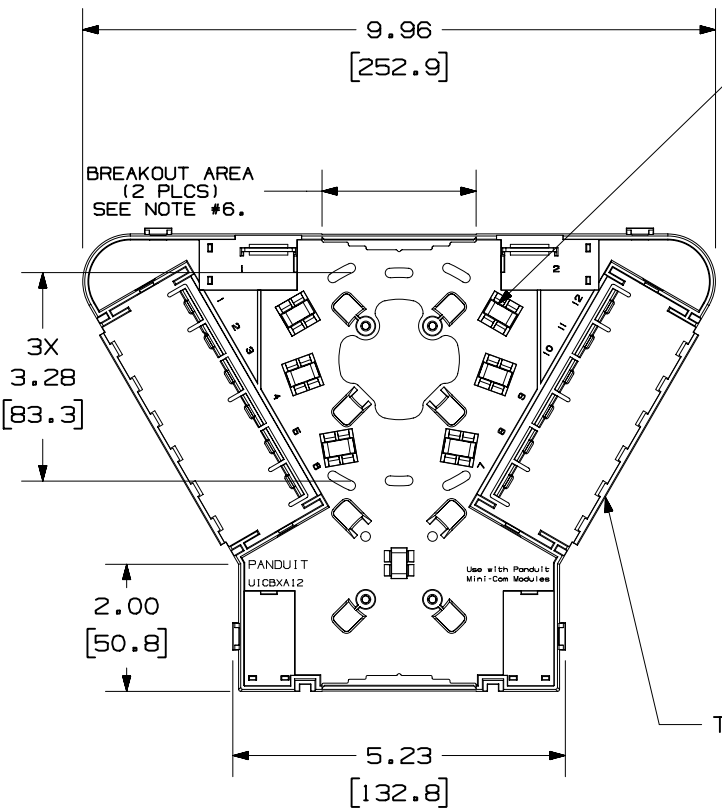


THIS COPY IS PROVIDED ON A RESTRICTED BASIS AND IS NOT TO BE USED IN ANY WAY DETRIMENTAL TO THE INTERESTS OF PANDUIT CORP.

PANDUIT P/N	WEIGHT
UICBXA12**-A	5.10 LB/10 PCS (2313.3 g/10 PCS)



PAN-TY LOOPS FOR CABLE HOLD-DOWNS (7 PLCS)

NOTES:

- SEE CURRENT CATALOG FOR ADDITIONAL PART NUMBER SUFFIXES TO INDICATE COLOR AND OR PACKAGE QUANTITY.
- SEE CATALOG FOR A COMPLETE LIST OF PARTS APPLICABLE FOR USE WITH THIS PART.
- DIMENSIONS IN PARENTHESES ARE IN METRIC.
- ALSO INCLUDED WITH BOX:
 - (4) -PLT1.5I-C PAN-TY™
 - (3) -STRIP OF 3.00" X .75" FOAM TAPE FOR MOUNTING
 - (2) -6 POSITION CLEAR LABEL COVER
 - (2) -4 POSITION CLEAR LABEL/SCREW COVER
 - (1) -4 POSITION COLOR COORDINATED SCREW COVER
 - (4) -COVER SCREW (USED TO SECURE COVER TO BASE)
 - (4) -#6-32 MOUNTING SCREW
- BASE HAS 4 POCKETS FOR OPTIONAL MAGNET. (CSBM-X)
- BREAKOUTS DESIGNED TO ACCEPT LD5 AND LD10 RACEWAY.
- LABEL SOLD SEPARATELY.

THIS AREA TO ACCOMMODATE 6 MINI-COM MODULES 2 PLACES

NO WARRANTY, EXPRESSED OR IMPLIED, IS MADE BY PANDUIT WITH RESPECT TO ADHESIVE BOND PERFORMANCE. AMONG OTHER THINGS, THE CONDITIONS UNDER WHICH THESE MOUNTS MAY BE APPLIED AND/OR THE SURFACE TO WHICH THEY MAY BE APPLIED ARE BEYOND PANDUIT'S CONTROL.

MODEL FILENAME	M01263AA_UICBXA12_ASMBL_06.PRT	SIZE	A
DRAWING FILENAME	M01263AA_DC_06A.PRT		

MINI-COM™ ULTIMATE ID™ 12 PORT ANGLED MULTI-MEDIA SURFACE MOUNT BOX

<p>THIRD ANGLE PROJECTION</p>	<p>PANDUIT® CORP. TINLEY PARK, IL 60477</p>	I.I. NUMBER	N/A
		PRODUCT SPEC	N/A
<p>ALL DIMENSIONS ARE GIVEN IN INCHES, UNLESS OTHERWISE SPECIFIED.</p> <p>DIMENSIONAL TOLERANCES ARE: (.X) ±.03 (.XXX) ±.005 (.XX) ±.01 ANGLES ± 1°</p>	WORK INSTRUCTION	N/A	
	SCALE	N/A	
DRAWN BY	JsP	PART NO.	UICBXA12**-A
DATE	5-17-02	DRAWING NO.	01263-06
CHK'D			PAGE 1 OF 1

REV	DATE	BY	CHK	DESCRIPTION	ECN	R	CUST	SUP	OTH
R	5-17-02	JsP		RELEASED TO PRODUCTION	01263-06				

