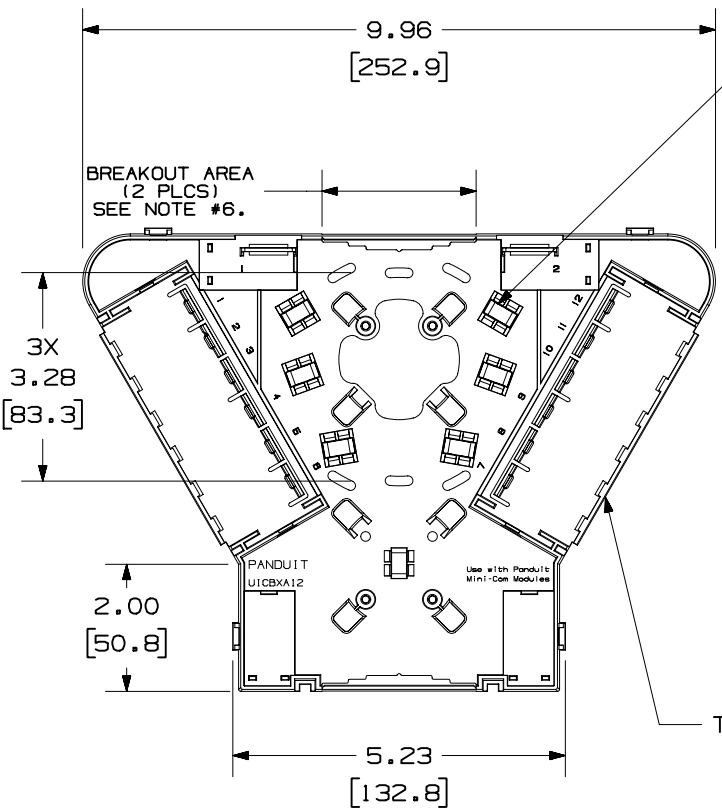


THIS COPY IS PROVIDED ON A RESTRICTED BASIS AND IS NOT TO BE USED IN ANY WAY DETRIMENTAL TO THE INTERESTS OF PANDUIT CORP.

PANDUIT P/N	WEIGHT
UICBXA12**-A	5.10 LB/10 PCS (2313.3 g/10 PCS)



PAN-TY LOOPS FOR CABLE HOLD-DOWNS (7 PLCS)

NOTES:

- SEE CURRENT CATALOG FOR ADDITIONAL PART NUMBER SUFFIXES TO INDICATE COLOR AND OR PACKAGE QUANTITY.
- SEE CATALOG FOR A COMPLETE LIST OF PARTS APPLICABLE FOR USE WITH THIS PART.
- DIMENSIONS IN PARENTHESES ARE IN METRIC.
- ALSO INCLUDED WITH BOX:
 - (4) -PLT1.5I-C PAN-TY™
 - (3) -STRIP OF 3.00" X .75" FOAM TAPE FOR MOUNTING
 - (2) -6 POSITION CLEAR LABEL COVER
 - (2) -4 POSITION CLEAR LABEL/SCREW COVER
 - (1) -4 POSITION COLOR COORDINATED SCREW COVER
 - (4) -COVER SCREW (USED TO SECURE COVER TO BASE)
 - (4) -#6-32 MOUNTING SCREW
- BASE HAS 4 POCKETS FOR OPTIONAL MAGNET. (CSBM-X)
- BREAKOUTS DESIGNED TO ACCEPT LD5 AND LD10 RACEWAY.
- LABEL SOLD SEPARATELY.

THIS AREA TO ACCOMMODATE 6 MINI-COM MODULES 2 PLACES

NO WARRANTY, EXPRESSED OR IMPLIED, IS MADE BY PANDUIT WITH RESPECT TO ADHESIVE BOND PERFORMANCE. AMONG OTHER THINGS, THE CONDITIONS UNDER WHICH THESE MOUNTS MAY BE APPLIED AND/OR THE SURFACE TO WHICH THEY MAY BE APPLIED ARE BEYOND PANDUIT'S CONTROL.

MODEL FILENAME	M01263AA_UICBXA12_ASMBL_06.PRT	SIZE	A
DRAWING FILENAME	M01263AA_DC_06A.PRT		

MINI-COM™ ULTIMATE ID™ 12 PORT ANGLED MULTI-MEDIA SURFACE MOUNT BOX

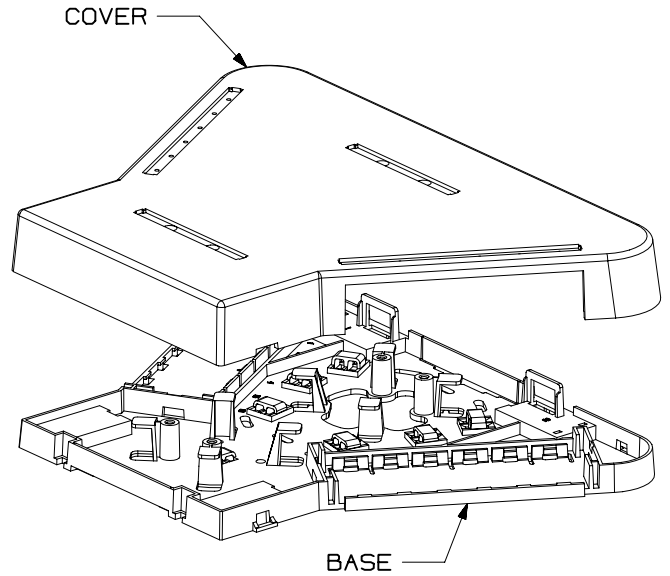
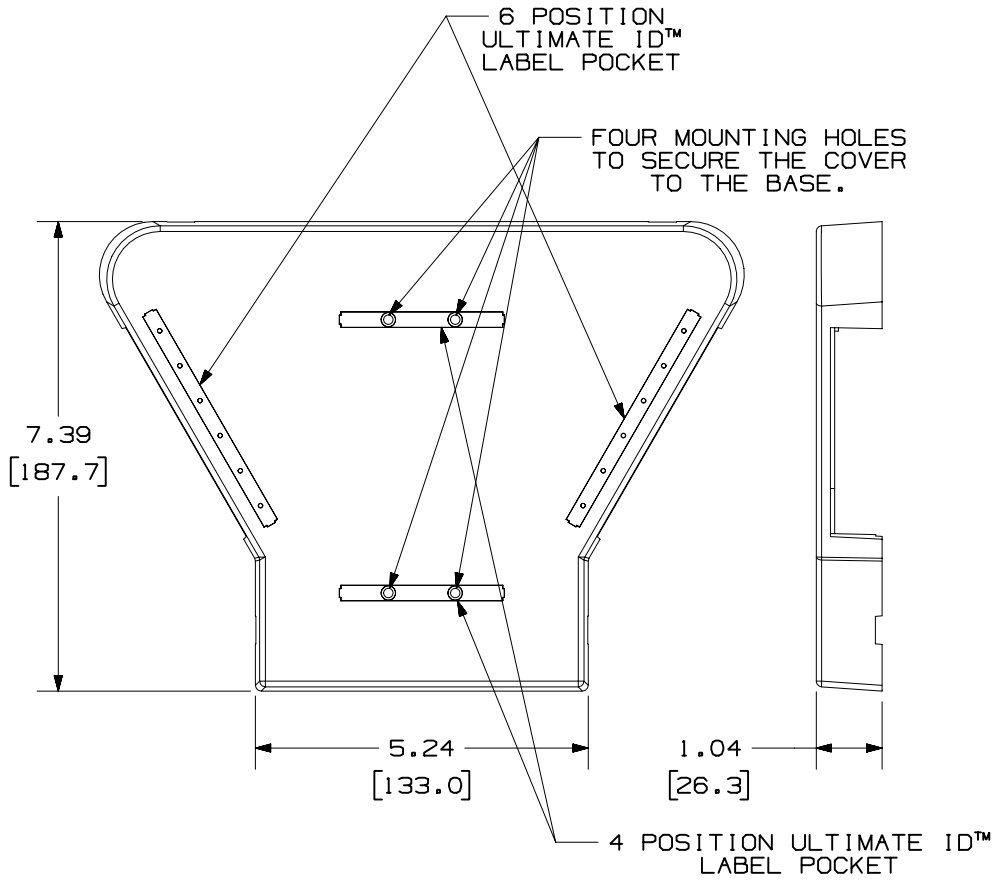


THIRD ANGLE PROJECTION	ALL DIMENSIONS ARE GIVEN IN INCHES, UNLESS OTHERWISE SPECIFIED.
	DIMENSIONAL TOLERANCES ARE: (.X) ±.03 (.XXX) ±.005 (.XX) ±.01 ANGLES ± 1°
DRAWN BY JsP	MATERIAL: ABS
DATE 5-17-02	
CHK'D	

I.I. NUMBER	N/A
PRODUCT SPEC	N/A
WORK INSTRUCTION	N/A
SCALE	N/A
PART NO.	UICBXA12**-A
DRAWING NO.	01263-06
	PAGE 1 OF 1


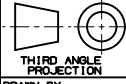
REV	DATE	BY	CHK	DESCRIPTION	ECN	R	CUST	SUP	OTH
R	5-17-02	JsP		RELEASED TO PRODUCTION	01263-06				

THIS COPY IS PROVIDED ON A RESTRICTED BASIS AND IS NOT TO BE USED IN ANY WAY DETRIMENTAL TO THE INTERESTS OF PANDUIT CORP.



MODEL FILENAME	M01263AA_UICBXA12_ASMBL_06.PRT	SIZE	A
DRAWING FILENAME	M01263AA_DC_06A.PRT		

MINI-COM™ ULTIMATE ID™ 12 PORT
ANGLED MULTI-MEDIA SURFACE MOUNT BOX

 PANDUIT ® CORP. TINLEY PARK, IL 60477	I.I. NUMBER	N/A
	PRODUCT SPEC	N/A
 THIRD ANGLE PROJECTION	WORK INSTRUCTION	N/A
	SCALE	N/A
DRAWN BY JsP	MATERIAL:	PART NO. UICBXA12**-A
DATE 5-17-02	ABS	DRAWING NO. 01263-06
CHK'D		SHEET 2 OF 2

REV	DATE	BY	CHK	DESCRIPTION	ECN	R	CUST	SUP	OTH
R	5-17-02	JsP		RELEASED TO PRODUCTION	01263-06				